

**JUKI®**

1-Needle, Unison-feed, Lockstitch Machine with an Automatic  
Thread Trimmer (Automatic Lubrication)

一本針本縫総合送り自動糸切りミシン (自動給油)

**LU-1510N-7**

1-Needle, Unison-feed, Lockstitch Machine with an Automatic  
Thread Trimmer for Light-weight Materials (Automatic Lubrication)

一本針本縫総合送り自動糸切りミシン薄物仕様 (自動給油)

**LU-1510NA-7**

# **PARTS LIST**

---

# CONTENTS

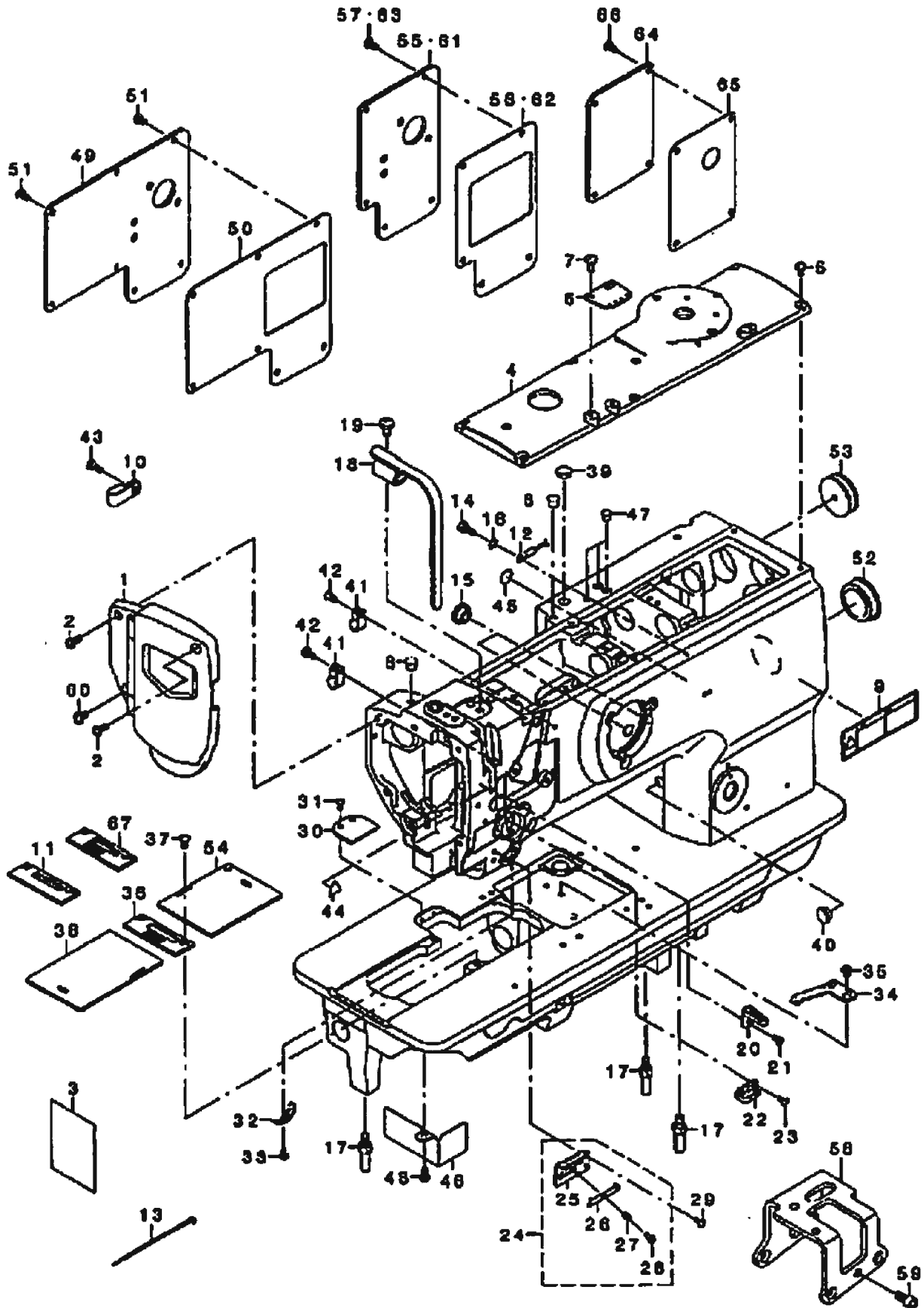
## 目 次

|  |           |
|--|-----------|
| <b>1. FRAME &amp; MISCELLANEOUS COVER COMPONENTS</b> .....                   | <b>1</b>  |
| 取部・外装関係  |           |
| <b>2. UPPER SHAFT, LOWER SHAFT DRIVING &amp; BALANCE COMPONENTS</b> .....    | <b>3</b>  |
| 上軸・下軸・天秤関係   |           |
| <b>3. NEEDLE BAR ROCKING COMPONENTS</b> .....                                | <b>5</b>  |
| 針棒揺動関係   |           |
| <b>4. PRESSURE ADJUSTING &amp; UPPER FEED MECHANISM COMPONENTS (1)</b> ..... | <b>7</b>  |
| 押入圧調節・上送り関係 (1)  |           |
| <b>5. PRESSURE ADJUSTING &amp; UPPER FEED MECHANISM COMPONENTS (2)</b> ..... | <b>9</b>  |
| 押入圧調節・上送り関係 (2)  |           |
| <b>6. FEED MECHANISM COMPONENTS</b> .....                                    | <b>11</b> |
| 送り関係   |           |
| <b>7. HOOK SHAFT &amp; LOWER SHAFT COMPONENTS</b> .....                      | <b>13</b> |
| 鉤軸・下軸関係  |           |
| <b>8. THREAD CUTTING COMPONENTS</b> .....                                    | <b>15</b> |
| 糸切り関係  |           |
| <b>9. AUTOMATIC BACK COMPONENTS</b> .....                                    | <b>17</b> |
| 自動バック関係  |           |
| <b>10. THREAD RELEASE COMPONENTS</b> .....                                   | <b>18</b> |
| 糸ゆるめ関係   |           |
| <b>11. THREAD TENSION COMPONENTS (FOR LU-1510N-7)</b> .....                  | <b>19</b> |
| 糸調子関係 (LU-1510N-7用)  |           |
| <b>12. THREAD TENSION COMPONENTS (FOR LU-1510NA-7)</b> .....                 | <b>20</b> |
| 糸調子関係 (LU-1510NA-7用)   |           |
| <b>13. LOWER THREAD WINDUP MECHANISM COMPONENTS</b> .....                    | <b>21</b> |
| 下糸巻き装置関係   |           |
| <b>14. AUTOMATIC PRESSER LIFTING MECHANISM COMPONENTS</b> .....              | <b>22</b> |
| 自動押入れ装置関係  |           |
| <b>15. AIR MECHANISM COMPONENTS (FOR LU-1510N-7)</b> .....                   | <b>23</b> |
| エア一気量関係 (LU-1510N-7用)  |           |
| <b>16. AIR MECHANISM COMPONENTS (FOR LU-1510NA-7)</b> .....                  | <b>24</b> |
| エア一気量関係 (LU-1510NA-7用)   |           |
| <b>17. LUBRICATION COMPONENTS (FOR LU-1510N-7)</b> .....                     | <b>25</b> |
| 給油関係 (LU-1510N-7用)   |           |
| <b>18. LUBRICATION COMPONENTS (FOR LU-1510NA-7)</b> .....                    | <b>27</b> |
| 給油関係 (LU-1510NA-7用)  |           |
| <b>19. BELT COVER &amp; OIL RESERVOIR COMPONENTS</b> .....                   | <b>29</b> |
| ベルトカバー・油受け関係   |           |
| <b>20. DL MECHANISM (OPTION) COMPONENTS</b> .....                            | <b>30</b> |
| DL装置 (オプション) 関係  |           |

|  |           |
|--|-----------|
| <b>21. THREAD STAND COMPONENTS</b> .....                                       | <b>31</b> |
| 糸立て装置関係  |           |
| <b>22. OPTIONAL PARTS (ADDITIONAL SPRING FOR PRESSER BAR) COMPONENTS</b> ..... | <b>32</b> |
| オプション部品 (二重コイルばね) 関係   |           |
| <b>23. SUSPENSION SQUARE (OPTION) COMPONENTS</b> .....                         | <b>33</b> |
| 吊り定規 (オプション) 関係  |           |
| <b>24. ACCESSORIES PARTS COMPONENTS</b> .....                                  | <b>34</b> |
| 付属品関係  |           |
| <b>25. OPTIONAL PARTS COMPONENTS (1)</b> .....                                 | <b>35</b> |
| オプション部品 (1)  |           |
| <b>26. OPTIONAL PARTS COMPONENTS (2)</b> .....                                 | <b>37</b> |
| オプション部品 (2)  |           |
| <b>27. LIST FOR INFORMATION OF CHANGE</b> .....                                | <b>39</b> |
| 変更情報リスト  |           |
| <b>NUMERICAL INDEX OF PARTS</b> .....  | <b>41</b> |
| 索引   |           |

1. FRAME & MISCELLANEOUS COVER COMPONENTS

頭部 - 外装関係



| QTY. NO | NOTE | PART NO.      | DESCRIPTION                    | QTY. |
|---------|------|---------------|--------------------------------|------|
| 1       |      | 400-16788     | FACE PLATE ASM.                | 1    |
| 2       |      | SS-411216-SP  | SCREEN 11/64-40 L=12           | 2    |
| 3       |      | 400-19114     | LUBRICATION SUPPLEMENT         | 1    |
| 4       |      | 313-31301     | TOP COVER B                    | 1    |
| 6       |      | SS-4110816-SP | SCREEN 11/64-40 L=8            | 6    |
| 6       |      | 313-56984     | ARM THREAD GUIDE               | 1    |
| 7       |      | SS-7621040-SP | SCREEN 3/16-32 L=9.5           | 2    |
| 8       |      | TA-0760704-RD | RUBBER PLUG                    | 2    |
| 9       |      | CM-3002001-B1 | SAFETY LABEL 12                | 1    |
| 10      |      | 02112-555-R00 | CORD HOLDER, LARGE             | 1    |
| 11      | 01   | B1109-561-D00 | THROAT PLATE                   | 1    |
| 12      |      | 329-51652     | GROUND WIRE ASM.               | 1    |
| 13      |      | EA-8500801-C0 | CABLE BAND                     | 1    |
| 14      |      | SS-8111140-SP | SCREEN 11/64-40 L=11           | 1    |
| 15      |      | TA-1250504-RD | RUBBER PLUG                    | 2    |
| 16      |      | NY-0630602-KS | TOOTHED WASHER D=5.3           | 1    |
| 17      |      | 328-02401     | RED SCREW STUD                 | 2    |
| 18      |      | 213-31688     | BALANCE COVER                  | 1    |
| 19      |      | SS-7150010-TP | SCREEN 15/64-28 L=9            | 1    |
| 20      |      | 213-55805     | THREAD GUIDE                   | 1    |
| 21      |      | SS-5060810-SP | SCREEN 9/64-40 L=6             | 1    |
| 22      |      | B1129-051-000 | FRAME THREAD GUIDE, UPPER      | 1    |
| 23      |      | SS-2090710-TP | SCREEN 9/64-40 L=7.2           | 2    |
| 24      |      | 214-08554     | THREAD GUIDE ASM.              | 1    |
| 25      |      | 214-08505     | THREAD GUIDE PLATE             | (1)  |
| 26      |      | 179-12106     | NEEDLE THREAD PRESSER PLATE    | (1)  |
| 27      |      | B1132-321-000 | THREAD PRESSER PLATE SPRING    | (1)  |
| 28      |      | ED-0380561-SL | RING SCREW D=3.80 H=5.5        | (1)  |
| 29      |      | SS-2090710-TP | SCREEN 9/64-40 L=7.2           | 1    |
| 30      |      | 226-51202     | AUXILIARY COVER                | 1    |
| 31      |      | SS-2090710-TP | SCREEN 9/64-40 L=7.2           | 2    |
| 32      |      | B3138-512-000 | TAKE-UP SPRING ADJUSTING PLATE | 1    |
| 33      |      | SS-7030620-TP | SCREEN 8/64-40 L=4.5           | 1    |
| 34      |      | B1111-563-000 | RED SLIDE SPRING               | 1    |
| 35      |      | SS-4110615-SP | SCREEN 11/64-40 L=5            | 2    |
| 36      |      | B1109-563-000 | THROAT PLATE                   | 1    |
| 37      |      | SS-3110920-TP | SCREEN 11/64-40 L=8.5          | 2    |
| 38      |      | 213-49800     | SLIDING PLATE (LEFT)           | 1    |
| 39      |      | TA-1050604-RD | RUBBER PLUG                    | 1    |
| 40      |      | TA-1050604-RD | RUBBER PLUG                    | 1    |
| 41      |      | EX-0613306-0A | CABLE CLIP                     | 2    |
| 42      |      | SS-4110815-SP | SCREEN 11/64-40 L=8            | 2    |
| 43      |      | SS-0111140-SP | SCREEN 11/64-40 L=11           | 1    |
| 44      |      | CM-3002000-01 | ATTENTION SEAL                 | 1    |
| 45      |      | 229-01808     | GROUND MARK                    | 1    |
| 46      |      | 213-32200     | OIL SHIELD (LEFT)              | 1    |
| 47      |      | TA-0550604-RD | RUBBER PLUG                    | 3    |
| 48      |      | SS-4110815-SP | SCREEN 11/64-40 L=8            | 1    |
| 49      |      | 213-31905     | WINDOW PLATE C                 | 1    |
| 50      |      | 213-32101     | WINDOW PLATE PACKING C         | 1    |
| 51      |      | SS-4110815-SP | SCREEN 11/64-40 L=8            | 7    |
| 52      |      | 226-19100     | CAP                            | 1    |
| 53      |      | 102-01200     | RUBBER PLUG                    | 1    |
| 54      |      | 213-49800     | THREAD CUTTING SLIDING PLATE   | 1    |
| 55      | 01   | 213-48909     | WINDOW PLATE B                 | 1    |
| 56      | 01   | 213-32502     | WINDOW PLATE PACKING B         | 1    |
| 57      | 01   | SS-4110815-SP | SCREEN 11/64-40 L=8            | 5    |
| 58      |      | 213-43307     | NEEDLE LIGHTEN SHAFT BASIS     | 1    |
| 59      |      | SM-0061202-TP | SCREEN 16 L=12                 | 2    |
| 60      |      | SS-4150915-SP | SCREEN 15/64-28 L=9            | 1    |
| 61      | 02   | 213-48909     | WINDOW PLATE B                 | 1    |
| 62      | 02   | 213-32902     | WINDOW PLATE PACKING B         | 1    |
| 63      | 02   | SS-4110815-SP | SCREEN 11/64-40 L=8            | 5    |
| 64      | 02   | 214-37108     | WINDOW PLATE E                 | 1    |
| 65      | 02   | 214-37306     | WINDOW PLATE E PACKING         | 1    |
| 66      | 02   | SS-4110815-SP | SCREEN 11/64-40 L=8            | 4    |
| 67      | 02   | 400-41238     | NEEDLE PLATE (FOR AM)          | 1    |

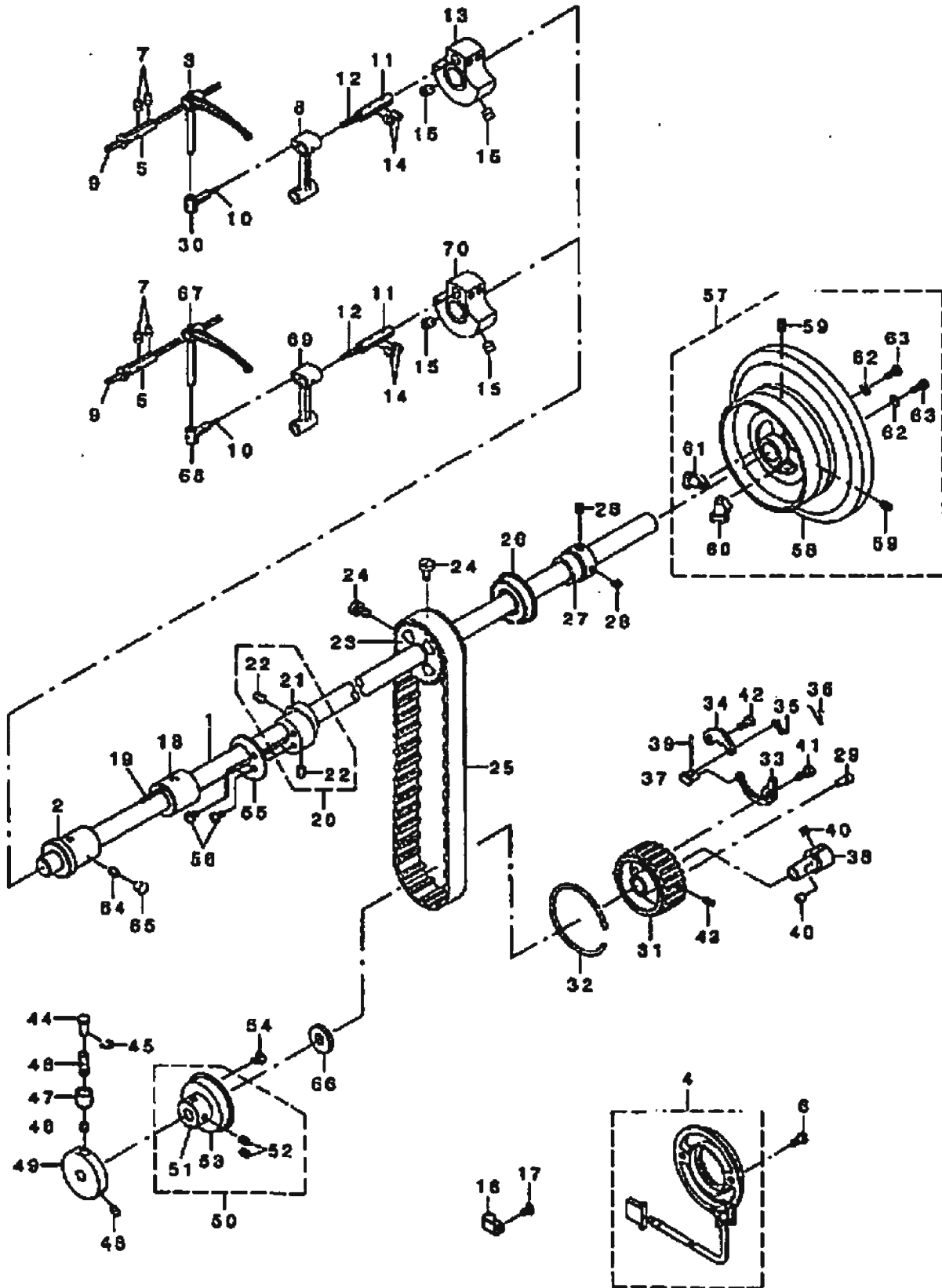
NOTE (P. 2)

01....OPTIONAL PARTS (FOR LU-1510A-T)  
02....FOR LU-1510A-T

37 3002000 (LU-1510A-T)  
LU-1510A-T

2 UPPER SHAFT, LOWER SHAFT DRIVING & BALANCE COMPONENTS

上轴・下轴・天秤關係



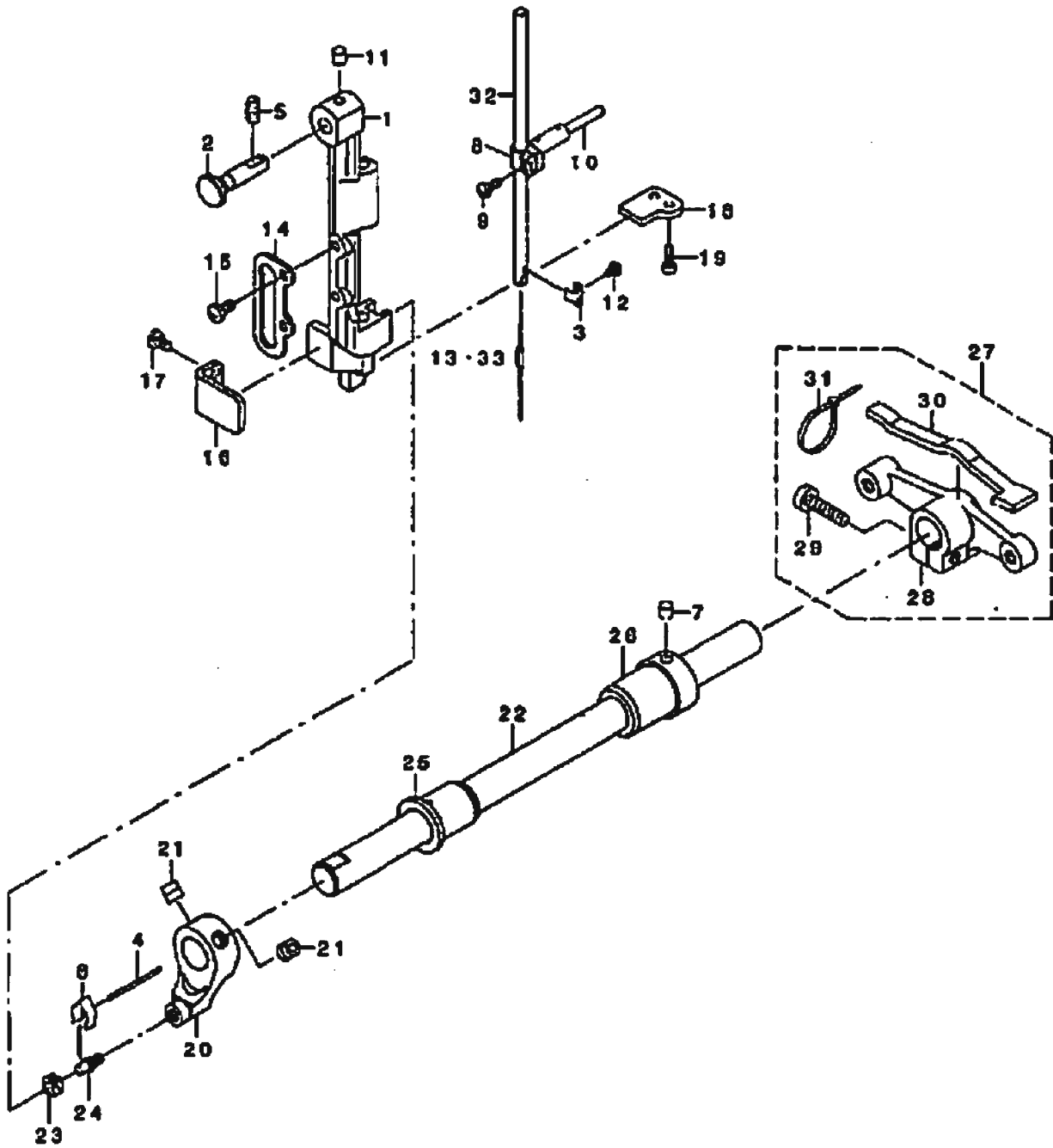
REF. NO. QUOTE PART NO. DESCRIPTION QTY

|    |     |                |                              |                        |      |
|----|-----|----------------|------------------------------|------------------------|------|
| 1  |     | 213-33705      | UPPER SHAFT                  | 977 9                  | 1    |
| 2  |     | 213-33000      | UPPER SHAFT FRONT METAL      | 977 973255             | 1    |
| 3  |     | 213-33208      | BALANCE                      | 777 7                  | 1    |
| 4  |     | 400-24555      | CONTAIN STYCKRO ASM.         | 777 97790(97)          | 1    |
| 5  |     | B1006-061-000  | TAKE-UP LEVER PIN            | 777 7 9779 9           | 1    |
| 6  |     | 106-04509      | SCREEN                       | 977 74 2-3-123         | 2    |
| 7  |     | SS-8150822-TP  | SCREEN 15/84-28 L=8          | 1237 15/84-28 L=8      | 2    |
| 8  |     | 213-33106      | NEEDLE BAR CRANK END         | 977 9779707            | 1    |
| 9  |     | 00-2020000-00  | OIL WICK                     | 777                    | 0.45 |
| 10 |     | 00-2020000-00  | OIL WICK                     | 777                    | 0.03 |
| 11 |     | B1210-061-000  | NEEDLE BAR CRANK PIN         | 977 - 97777 9          | 1    |
| 12 |     | 00-5000000-00  | OIL WICK                     | 777                    | 0.03 |
| 13 |     | 213-33507      | COUNTER WEIGHT (A) (3000)    | 977 74(A)(3000)        | 1    |
| 14 |     | SE-15150822-TP | SCREEN 15/84-28 L=8          | 1237 15/84-28 L=8      | 2    |
| 15 |     | SE-8080312-TP  | SCREEN 808                   | 1237 80 L=8            | 2    |
| 16 |     | UX-0012300-UX  | CRANK CLIP                   | 977 97777              | 1    |
| 17 |     | SS-4110818-SP  | SCREW 11/84-40 L=8           | 74 37 11/84-40 L=8     | 1    |
| 18 |     | 213-33109      | UPPER SHAFT COVER METAL      | 977 977945             | 1    |
| 19 |     | 00-2020000-00  | OIL WICK                     | 777                    | 0.16 |
| 20 |     | 213-34557      | ECCENTRIC CAM & ASM.         | 214(1237)977955(94)    | 1    |
| 21 |     | 213-34508      | ECCENTRIC CAM 2              | 214(2379)977955        | (1)  |
| 22 |     | SS-8060810-TP  | SCREEN 1/4-40 L=8            | 1237 1/4-40 L=8        | (2)  |
| 23 | *   | 400-32892      | UPPER SPROCKET               | 977 77777              | 1    |
| 24 |     | SS-6661110-SP  | SCREW 1/4-40 L=11            | 6667 1/4-40 L=11       | 2    |
| 25 |     | 225-04300      | TIMING BELT                  | 21277 4 2              | 1    |
| 26 |     | B1210-061-000  | NEEDLES, 9000                | 977 7 9779 9777        | 1    |
| 27 |     | 214-02300      | UPPER SHAFT BEARING EDGE     | 977 74 7777 97         | 1    |
| 28 |     | SK-6060602-TP  | SCREEN 606                   | 1237 606 L 6           | 2    |
| 29 |     | 213-87907      | ADJUSTING PIN (1,2)          | 213 8777977(1,2) (1,2) | 1    |
| 30 |     | 213-33307      | BALANCE SLIDE SHAFT          | 777 77777 7 7          | 1    |
| 31 |     | 213-87501      | LOWER SPROCKET               | 777 7777               | 1    |
| 32 |     | B1214-019-000  | SPROCKET KING                | 21 7777 977            | 1    |
| 33 |     | 213-87709      | SAFETY CLUTCH SPRING         | 777 77777 2            | 1    |
| 34 |     | 213-87660      | SAFETY CLUTCH EDGE           | 777 777777             | 1    |
| 35 |     | B1303-026-000  | SAFETY CLUTCH COVER-EDGE     | 777 77-7 7 77 77       | 1    |
| 36 |     | B1309-056-000  | COUNTER-EDGE SPRING          | 777 77-7 7 7777 7 7    | 1    |
| 37 |     | B1310-085-000  | SAFETY CLUTCH SMALL LINK     | 777 77-7 77 777        | 1    |
| 38 |     | 213-87808      | SAFETY BLAKE                 | 777 777777             | 1    |
| 39 |     | B1314-056-000  | SAFETY CLUTCH SMALL LINK PIN | 777 77-7 77 777 7 7    | 1    |
| 40 | *   | SS-8680812-TP  | SCREEN 1/4-40 L=6            | 1237 1/4-40 L=6        | 2    |
| 41 |     | SS-0640322-TP  | HINGE SCREEN D= 6.35 H= 3.2  | 7 777 6-6.35 H=3.2     | 1    |
| 42 |     | SS-0640322-TP  | HINGE SCREEN D= 6.35 H= 3.2  | 7 777 6-6.35 H=3.2     | 1    |
| 43 |     | SS-8111010-TP  | SCREEN 11/84-40 L=9.5        | 1237 11/84-40 L=9.5    | 1    |
| 44 |     | 213-33802      | SAFETY CLUTCH PUSH BUTTUS    | 777 7777277 77         | 1    |
| 45 |     | SK-0500000-00  | E-RING 5                     | 27 27 5                | 1    |
| 46 |     | K1230-051-000  | SPRING                       | 777 777 7              | 1    |
| 47 |     | B1313-085-000  | SAFETY CLUTCH KNOB SLEEVE    | 777 77-7 7 77 77       | 1    |
| 48 |     | SS-6500530-TP  | SCREEN 1/4-40 L=4.5          | 1237 1/4-40 L=4.5      | 2    |
| 49 |     | B13-33801      | SAFETY CLUTCH BTSC           | 777 7777277 7          | 1    |
| 50 | *   | 400-32700      | THROST COLLAR ASM.           | 747 7277077-(94)       | 1    |
| 51 | *   | 400-32702      | THROST COLLAR                | 747 7277077            | (1)  |
| 52 |     | SS-8981030-SP  | SCREEN 1/4-40 L=10           | 1237 1/4-40 L=10       | (2)  |
| 53 |     | SP-1200002-00  | BEARING 2043                 | 4 7777 2043            | (1)  |
| 54 |     | SS-7120760-SP  | SCREW 3/16-28 L= 7.0         | 712777 3/16-28 L=7     | 2    |
| 55 |     | 213-33008      | HORIZONTAL FIXED CAM COVER   | 214(1237)977977        | 1    |
| 56 |     | SS-7110710-SP  | SCREEN 11/84-40 L=7          | 711777 11/84-40 L=7    | 2    |
| 57 |     | 214-27089      | FLYWHEEL                     | AT 27 97(3777(7777))   | 1    |
| 58 |     | 214-27090      | FLYWHEEL                     | AT 27 97               | (1)  |
| 59 |     | SS-8150822-TP  | SCREEN 15/84-28 L=8          | 1237 15/84-28 L=8      | (2)  |
| 60 |     | B4007-110-0AA  | HAZVET FITTING BASE A ASM.   | 97 27 12777 7 2 2      | (1)  |
| 61 |     | B4007-110-0AA  | HAZVET FITTING BASE B ASM.   | 97 27 12777 7 7 7      | (1)  |
| 62 |     | WP-0450801-SD  | WASHER 4.5X10.8              | 677 7 4.5X10.8         | (2)  |
| 63 |     | SS-6111210-SP  | SCREEN 11/84-40 L=12         | 61177 11/84-40 L=12    | (2)  |
| 64 |     | SS-8150710-TP  | SCREEN 15/84-28 L=7          | 1237 15/84-28 L=7      | 1    |
| 65 |     | 7A-0780704-R0  | RUBBER PLUG                  | 1237                   | 1    |
| 66 |     | 400-16748      | THROST COLLAR B WASHER       | 777 72779777 7 7       | 1    |
| 67 | 401 | 400-41734      | THREAD TAKE-UP LEVER         | 777 7                  | 1    |
| 68 | 401 | 226-85408      | TAKE-UP LEVER THROST PIN     | 777 72777 7 7          | 1    |
| 69 | 401 | B1406-051-000  | NEEDLE BAR CRANK END         | 977 - 9779777          | 1    |
| 70 | 401 | 213-32685      | COUNTER WEIGHT (B) (3000)    | 977 74(B)(3000)        | 1    |

NOTE (註記) OI...FOR LU-1510NA-7 LU-1510NA-7PM

### 3. NEEDLE BAR ROCKING COMPONENTS

针杆运动机构

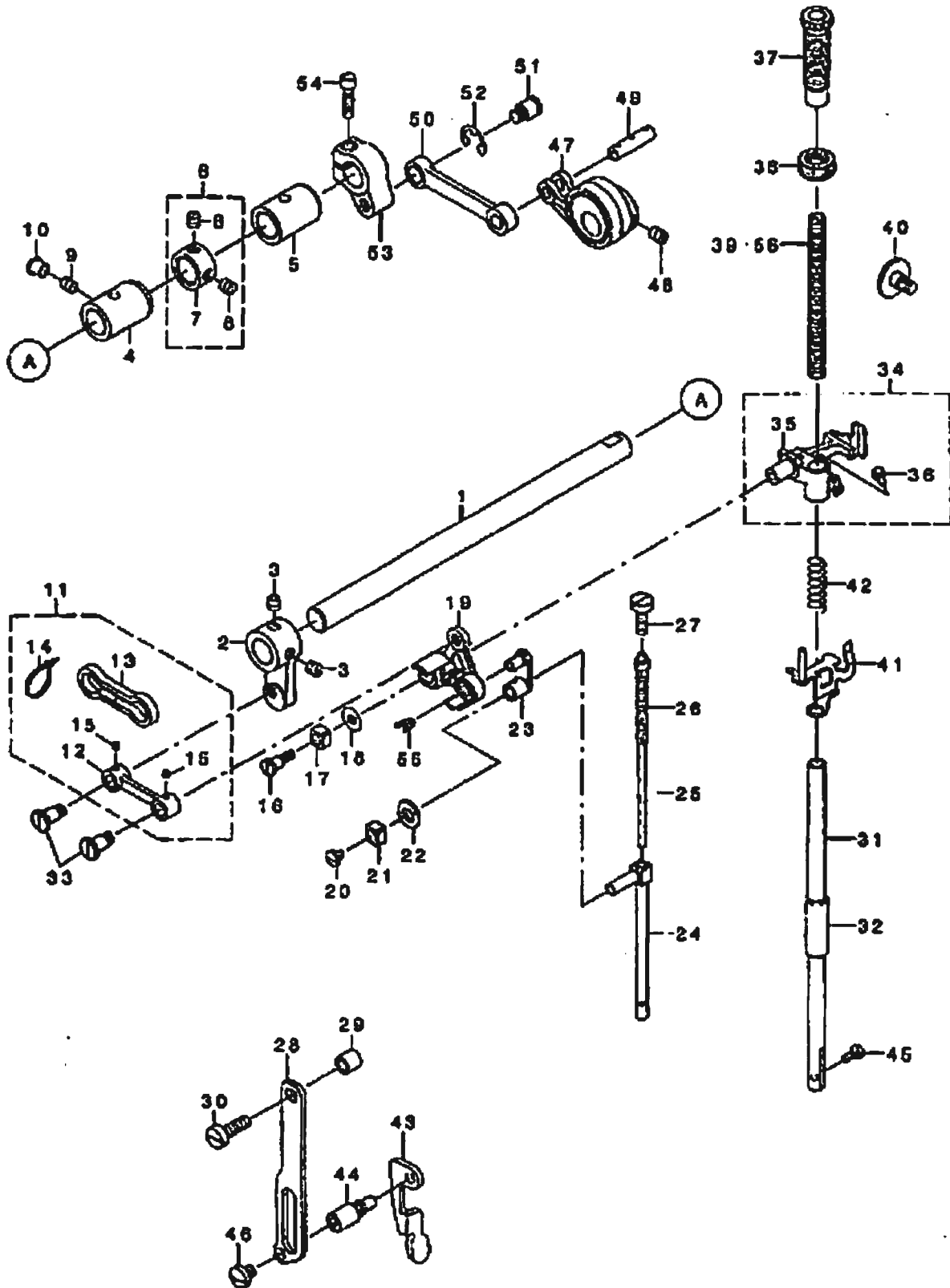




| REF. NO. | NOTE | PART NO.      | DESCRIPTION               | QTY.         |
|----------|------|---------------|---------------------------|--------------|
| 1        |      | B1420-563-000 | NEEDLE BAR FRAME          | 1            |
| 2        |      | 214-05204     | HINGE STUD                | 1            |
| 3        |      | 213-38604     | NEEDLE BAR THREAD RACK    | 1            |
| 4        |      | CQ-2030000-00 | OIL WICK                  | 0.05         |
| 5        |      | SS-8151150-TP | SCREEN 16/64-28 L-10.5    | 1            |
| 6        |      | 81437-051-000 | OIL WICK RETAINER         | 1            |
| 7        |      | 213-87402     | FELT                      | 1            |
| 8        |      | U1411-053-000 | NEEDLE BAR CONNECTION     | 1            |
| 9        |      | SS-7090910-5P | SCREW 9/64-40 L= 8.5      | 1            |
| 10       |      | B1412-051-000 | FELT                      | 1            |
| 11       |      | 228-14909     | FELT                      | 1            |
| 12       |      | SS-7090510-TP | SCREW 1/8-44 L=4.6        | 1            |
| 13       |      | MC-3720016-00 | NEEDLE SY3355 160         | 1            |
| 14       |      | B1467-563-000 | UPPER FEED BAR GUIDE      | 1            |
| 15       |      | SS-7110810-TP | SCREW 11/64-40 L= 8.5     | 2            |
| 16       |      | 213-88400     | ROCKING RASE GUIDE        | 1            |
| 17       |      | SS-7110830-5P | SCREW 11/64-40 L= 7.5     | 2            |
| 18       |      | 213-38603     | ROCKING RASE GUIDE (D)    | 1            |
| 19       |      | SS-6091022-1P | SCREW                     | 2            |
| 20       |      | 213-38801     | ROCKING FRONT ARM         | 1            |
| 21       |      | SW-8080802-TP | SCREW                     | 2            |
| 22       |      | 213-38900     | ROCKING SHAFT             | 1            |
| 23       |      | B1414-232-000 | SQUARE BLOCK              | 1            |
| 24       |      | B1410-771-000 | STUD                      | 1            |
| 25       |      | 213-39304     | ROCKING SHAFT FRONT METAL | 1            |
| 26       |      | 400-27746     | RUSHING REAR              | 1            |
| 27       |      | 213-39056     | ROCKING REAR ARM ASN.     | 1            |
| 28       |      | 213-39007     | ROCKING REAR ARM          | (1)          |
| 29       |      | SS-8152440-5P | SCREW 15/64-28 L=23.5     | (1)          |
| 30       |      | 213-47406     | ROCKING REAR ARM FELT     | (1)          |
| 31       |      | CA-8500801-00 | CABLE BARD                | (2)          |
| 32       |      | 213-38405     | NEEDLE BAR THREAD RACK    | 1            |
| 33       | 001  | MC-3720010-00 | NEEDLE SY3355 100         | 1            |
|          |      | NOTE (注意)     | 01.... FOR LU-1510XA-7    | LU-1510XA-7用 |

4. PRESSURE ADJUSTING & UPPER FEED MECHANISM COMPONENTS (1)

押え圧調節・上送り機構 (1)

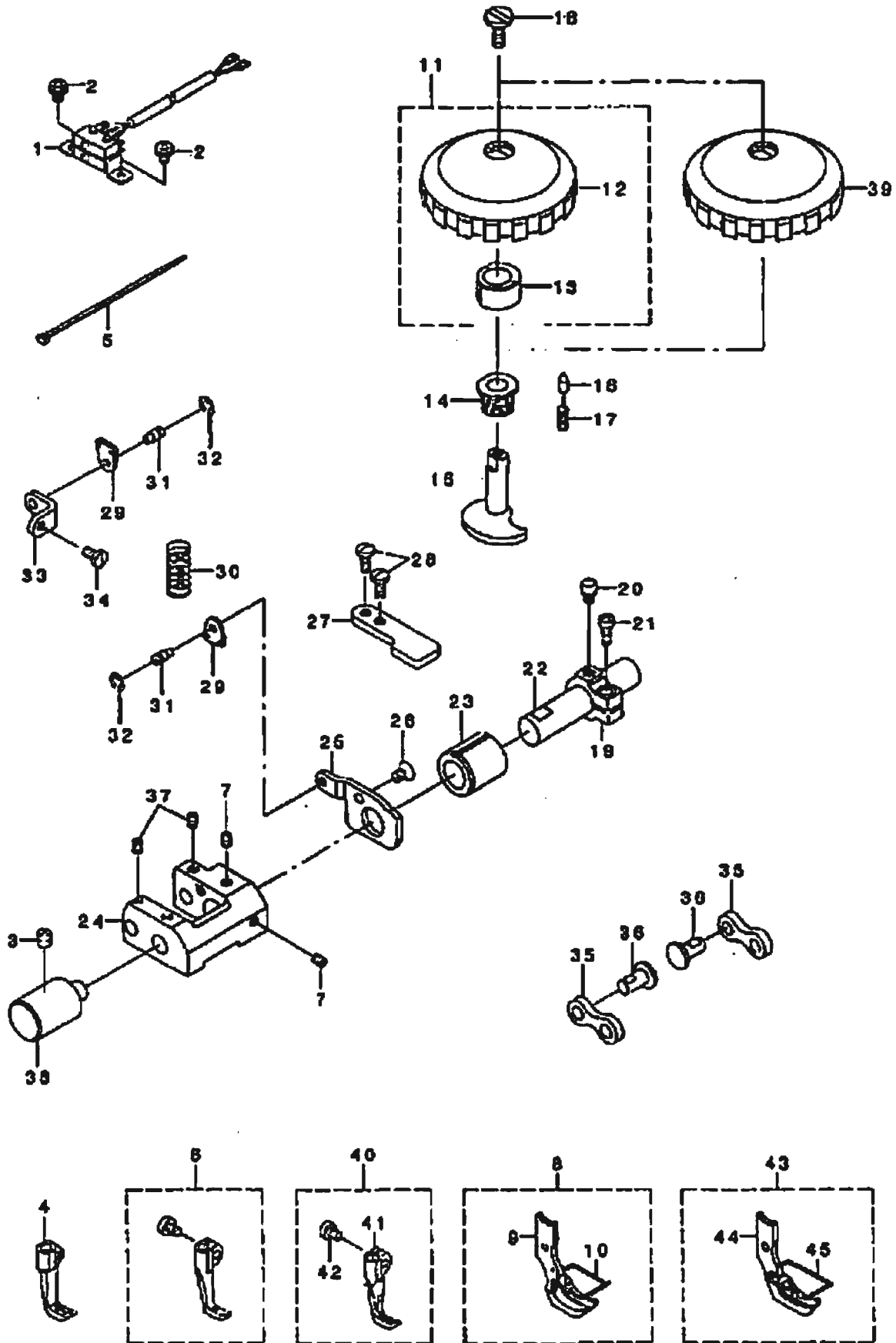


| REF. NO. | NOTE | PART NO.      | DESCRIPTION                   | QTY      | SY |
|----------|------|---------------|-------------------------------|----------|----|
| 1        |      | 213-40401     | UPPER FEED SHAFT              | 1        |    |
| 2        |      | 213-40500     | UPPER FEED FRONT ARM          | 1        |    |
| 3        |      | SS-8660812-TP | SCREW 1/4-40 L-6              | 2        |    |
| 4        | *    | 400-30326     | FRONT METAL                   | 1        |    |
| 5        |      | 213-78302     | FEED HOOK SHAFT METAL         | 1        |    |
| 6        |      | 229-04165     | MAIN SHAFT THRUST COLLAR ASM. | 1        |    |
| 7        |      | 229-04106     | MAIN SHAFT THRUST COLLAR      | (1)      |    |
| 8        |      | SS-8660810-TP | SCREW 1/4-40 L-6              | (2)      |    |
| 9        |      | SS-8150710-TP | SCREW 15/64-28 L-7            | 1        |    |
| 10       |      | TA-0750704-HO | RUBBER PLUG                   | 1        |    |
| 11       |      | 400-33027     | UPPER FEED LINK ASM.          | 1        |    |
| 12       |      | 400-33026     | UPPER FEED LINK               | (1)      |    |
| 13       |      | 213-47109     | FELT                          | (1)      |    |
| 14       |      | EA-8500900-00 | CLIP CV-70S                   | (2)      |    |
| 15       |      | CQ-3000000-F0 | OIL FELT                      | (0.0028) |    |
| 16       |      | 400-18339     | SCREW                         | 1        |    |
| 17       |      | B1414-555-000 | SLIDE BLOCK                   | 1        |    |
| 18       |      | BP-0501046-SC | WASHER 6 X 13 X 1             | 1        |    |
| 19       |      | 400-33029     | TRIANGULAR LEVER ASM.         | 1        |    |
| 20       |      | SS-7110510-SP | SCREW 11/64-40 L-5            | 1        |    |
| 21       |      | B1414-555-000 | SLIDE BLOCK                   | 1        |    |
| 22       |      | 105-00701     | FELT                          | 1        |    |
| 23       |      | 400-18341     | WALKING BAR DRIVING LINK      | 1        |    |
| 24       |      | 400-33030     | WALKING BAR A                 | 1        |    |
| 25       |      | B1487-053-0A0 | WALKING BAR ASM.              | 1        |    |
| 26       |      | B1488-053-000 | WALKING BAR SPRING            | 1        |    |
| 27       |      | SS-6151780-SP | SCREW 15/64-28 L-17.0         | 1        |    |
| 28       |      | 214-06509     | UPPER FEED GUIDE PLATE        | 1        |    |
| 29       |      | 262-26201     | ROLLER                        | 1        |    |
| 30       |      | SS-6151920-SP | SCREW 15/64-28 L-18.0         | 1        |    |
| 31       |      | B1501-241-R00 | PRESSER BAR                   | 1        |    |
| 32       |      | B1610-156-000 | PRESSER BAR LOWER BUSHING     | 1        |    |
| 33       |      | 400-18340     | SCREW                         | 2        |    |
| 34       |      | 400-33032     | PRESSER BAR HOLDER A ASM.     | 1        |    |
| 35       |      | 400-33031     | PRESSER BAR HOLDER A          | (1)      |    |
| 36       |      | SS-7110910-TP | SCREW 11/64-40 L-8.5          | (1)      |    |
| 37       |      | 213-40906     | PRESSER ADJUSTING SCREW       | 1        |    |
| 38       |      | 229-07604     | PRESSER REGULATING NUT        | 1        |    |
| 39       |      | B1502-246-000 | PRESSER SPRING                | 1        |    |
| 40       |      | SD-0800481-SP | HINGE SCREW D=8 H=4.9         | 1        |    |
| 41       |      | 213-41151     | THREAD RELEASE HOLDING PLATE  | 1        |    |
| 42       |      | B1462-063-000 | THREAD RELEASE SPRING         | 1        |    |
| 43       |      | 214-06103     | PRESSER LIFTER LEVER          | 1        |    |
| 44       |      | 214-06608     | GUIDE PLATE SPACER            | 1        |    |
| 45       |      | SS-6090810-TP | SCREW 9/64-40 L-9             | 1        |    |
| 46       |      | SS-7150740-SP | SCREW 15/64-28 L-7            | 1        |    |
| 47       |      | 107-13786     | ECCENTRIC ROD (SET)           | 1        |    |
| 48       |      | SS-8660810-TP | SCREW 1/4-40 L-8              | 2        |    |
| 49       |      | 107-13808     | CONNECTION LINK PIN D         | 1        |    |
| 50       |      | 213-40906     | UPPER FEED LINK (B)           | 1        |    |
| 51       |      | 218-48707     | HINGE SCREW                   | 1        |    |
| 52       |      | BE-0800000-K0 | E-SHAPED SNAP RING (8KM)      | 1        |    |
| 53       |      | 213-40302     | UPPER FEED REAR ARM (B)       | 1        |    |
| 54       |      | SY-6062002-TP | SCREW M5 L-20                 | 1        |    |
| 55       |      | CQ-2520000-00 | OIL WICK                      | 0.02     |    |
| 56       | +01  | B1610-141-R00 | PRESSER SPRING                | 1        |    |

NOTE (注記) 01...FOR LU-1610NA-7 LU-1610NA-7用

5. PRESSURE ADJUSTING & UPPER FEED MECHANISM COMPONENTS (2)

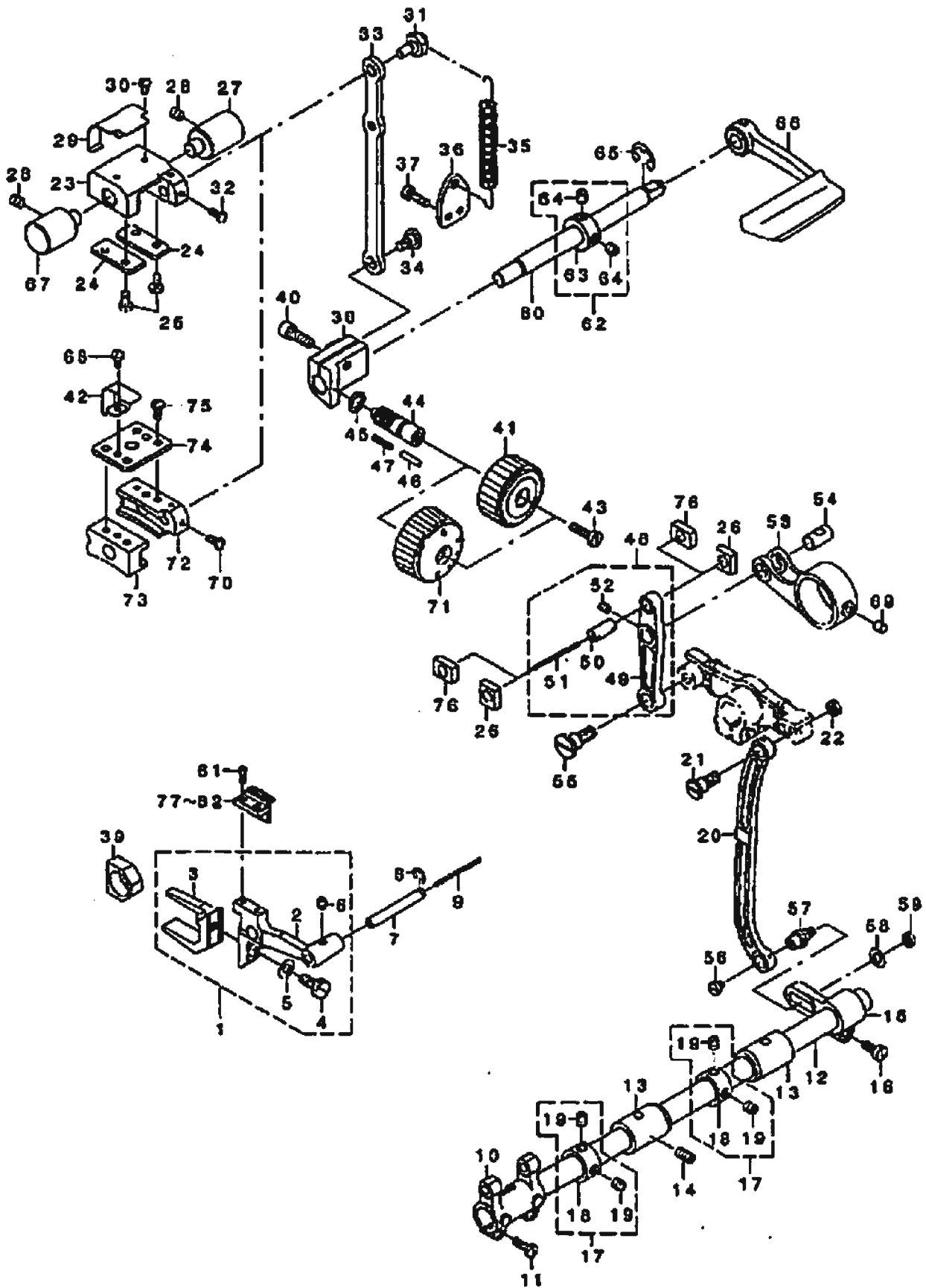
押え圧調整・上送り関係 (2)



| REF. NO.  | NOTE | PART NO.      | DESCRIPTION                    | QTY           |
|-----------|------|---------------|--------------------------------|---------------|
| 1         | 03   | 400-24852     | VERTICAL DETECTOR SWITCH ASM.  | 1             |
| 2         | 03   | SL-4040881-SC | SCREW M4 L=8                   | 2             |
| 3         |      | SS-8150710-SP | SCREW 16/64-28 L=7             | 1             |
| 4         | 01   | D1470-241-EQA | WALKING FOOT                   | 1             |
| 5         | 03   | EA-9500801-00 | CABLE BAND                     | 1             |
| 6         |      | D1470-053-0AU | WALKING FOOT ASM.              | 1             |
| 7         |      | SM-8050602-TP | SCREW M5 L=6                   | 2             |
| 8         |      | 213-80152     | PRESSER FOOT ASM.              | 1             |
| 9         |      | 213-50103     | PRESSER FOOT                   | (1)           |
| 10        |      | 103-37905     | FINGER GUARD                   | (1)           |
| 11        | 03   | 107-74354     | UPPER AND LOWER DIAL ASM.      | 1             |
| 12        | 03   | 107-74305     | VERTICAL DIAL                  | (1)           |
| 13        | 03   | 107-74404     | VERTICAL CAM                   | (1)           |
| 14        |      | 107-15100     | VERTICAL DIAL SHAFT BUSHING    | 1             |
| 15        |      | 107-15901     | VERTICAL ADJUSTING CAM         | 1             |
| 16        |      | 107-16704     | VERTICAL DIAL PIN              | 1             |
| 17        |      | B1528-827-00G | SPRING                         | 1             |
| 18        |      | SS-8110630-TP | SCREW 11/64-40 L=8             | 1             |
| 19        |      | 213-41607     | VERTICAL ADJUSTING ARM         | 1             |
| 20        |      | 107-15308     | PIN                            | 1             |
| 21        |      | SM-8051402-TP | SCREW M5X0.8 L=14              | 1             |
| 22        |      | 213-41508     | VERTICAL CHANGE BASE SHAFT     | 1             |
| 23        |      | 107-18203     | FEED SHAFT FRONT METAL         | 1             |
| 24        |      | 107-14202     | VERTICAL CHANGE BELT           | 1             |
| 25        |      | 213-39601     | UPPER FEED STOPPER PLATE (A)   | 1             |
| 26        |      | SM-1050801-SK | SCREW M5 L=8                   | 1             |
| 27        |      | 213-39700     | UPPER FEED STOPPER PLATE (B)   | 1             |
| 28        |      | SS-7111120-TP | SCREW                          | 2             |
| 29        |      | 107-13501     | SPRING HOOK                    | 2             |
| 30        |      | 107-16504     | VERTICAL SHAFT SPRING          | 1             |
| 31        |      | B3418-562-000 | CONNECTING ROD HINGE SCREW     | 2             |
| 32        |      | RE-0500000-KD | E-RING                         | 2             |
| 33        |      | 213-39809     | UPPER FEED DOG SPRING HOOK     | 1             |
| 34        |      | SS-7110830-3P | SCREW 11/64-40 L=7.5           | 1             |
| 35        |      | 107-14500     | CONNECTION LINK B              | 2             |
| 36        |      | 107-14808     | CONNECTION LINK B SUPPORT PIN  | 2             |
| 37        |      | SM-8050602-TP | SCREW M5 L=6                   | 2             |
| 38        |      | 213-37803     | FEED ADJUSTING BASE SUPPORT    | 1             |
| 39        | 02   | 107-74305     | VERTICAL DIAL                  | 1             |
| 40        | 02   | 400-41246     | UPPER FEED FOOT(FOR AM)ASM.    | 1             |
| 41        |      | 400-41247     | UPPER FEED FOOT(FOR AM)        | (1)           |
| 42        |      | SS-8110710-SP | SCREW 11/64-40 L=7             | (1)           |
| 43        | 02   | 400-41243     | PRESSER FOOT(FOR AM)           | 1             |
| 44        |      | 400-41244     | PRESSER FOOT(FOR AM)           | (1)           |
| 45        |      | 400-41245     | FINGER GUIDE(FOR AM)           | (1)           |
| NOTE (注意) |      |               | 01....TIP-DIVIDED TYPE(OPTION) | 先割れタイプ(オプション) |
|           |      |               | 02....FOR LU-1510NA-7          | LU-1510NA-7用  |
|           |      |               | 03....FOR LU-1510N-7           | LU-1510N-7用   |

6. FEED MECHANISM COMPONENTS

送り機構



| REF. NO. | NOTE | PART NO.        | DESCRIPTION                   | QTY  | UNIT             |
|----------|------|-----------------|-------------------------------|------|------------------|
| 1        |      | 213-2000        | FIELD BASK ASH. (H)           | 2775 | (10)P2           |
| 2        |      | 213-2503        | FIELD BASK                    | 2775 | 1                |
| 3        |      | 101-07001       | FIELD BAR FORK                | 2775 | (7)P2            |
| 4        |      | 23-913140-CP    | SCREEN 18/64-28 L-14          | 2775 | 21 18/64-28 L-14 |
| 5        |      | 27-0221015-ED   | WASHER 8, 2X13X1              | 2775 | 2 8, 2X13X1      |
| 6        |      | 23-4650503-TP   | SCREEN 25 L-6                 | 2775 | 1                |
| 7        |      | 21324-911-000-A | FIELD BAR SHAFT               | 2775 | 1                |
| 8        |      | 23-0430711-CP   | SNAP RING 8                   | 2775 | 2                |
| 9        |      | 00-282000-00    | DEL WICK                      | 275  | 0.14             |
| 10       |      | 213-64104       | FIELD ROCKER                  | 2775 | 1                |
| 11       |      | 25-711219-CP    | SCREEN 17/64-40 L-14          | 2775 | 17/64-40 L-14    |
| 12       |      | 213-08408       | FIELD ROCK SHAFT              | 2775 | 1                |
| 13       |      | 213-78321       | FIELD ROCK SHAFT BRCEL        | 2775 | 1                |
| 14       |      | 23-6151140-TP   | SCREEN 15/64-28 L-10.5        | 2775 | 15/64-28 L-10.5  |
| 15       |      | 2325-141-100-A  | CONNECTING ARM                | 2775 | 1                |
| 16       |      | 23-612118-TP    | SCREEN 3/16-28 L-12           | 2775 | 3/16-28 L-12     |
| 17       |      | 213-04108       | RELIN SHAFT TIGHT COLLAR ASH. | 2775 | 2                |
| 18       |      | 213-04108       | RELIN SHAFT TIGHT COLLAR      | 2775 | (1)              |
| 19       |      | 23-862019-TP    | SCREEN 1/4-40 L-8             | 2775 | 1/4-40 L-8       |
| 20       |      | 102-05201       | EXHAUST MAN FRAME ROD         | 275  | 1                |
| 21       |      | 21-8000701-CP   | BLADE SCREW 5-8 N-7           | 2775 | 5-8 N-7          |
| 22       |      | 23-800120-CP    | BIT 9/32 28                   | 2775 | 9/32 28          |
| 23       |      | 213-37500       | FIELD ADJUSTING BASK          | 2775 | 1                |
| 24       |      | 213-37704       | FIELD ADJUSTING BASK COVER    | 2775 | 1                |
| 25       |      | 23-711219-CP    | SCREEN 17/64-40 L-14          | 2775 | 17/64-40 L-14    |
| 26       |      | 213-37407       | SHOCK BLOCK                   | 2775 | 1                |
| 27       |      | 213-37800       | FIELD ADJUSTING BASK SUPPORT  | 2775 | 1                |
| 28       |      | 23-6151140-TP   | SCREEN 15/64-28 L-10.5        | 2775 | 15/64-28 L-10.5  |
| 29       |      | 213-38300       | FELT SUPPORT                  | 2775 | 1                |
| 30       |      | 23-709210-CP    | SCREEN 9/64-40 L-8            | 2775 | 9/64-40 L-8      |
| 31       |      | 213-37601       | FIELD ADJUSTING BASK          | 2775 | 1                |
| 32       |      | 23-709210-CP    | SCREEN 9/64-40 L-8            | 2775 | 9/64-40 L-8      |
| 33       |      | 213-37306       | FIELD ADJUSTING ROD           | 2775 | 1                |
| 34       |      | 23-8000401-TP   | FIELD SCREW 5-8 N-4           | 2775 | 5-8 N-4          |
| 35       |      | 213-37603       | FIELD ADJUSTING BASK          | 2775 | 1                |
| 36       |      | 213-37603       | FIELD ADJUSTING BASK          | 2775 | 1                |
| 37       |      | 23-811210-CP    | SCREEN 11/64-40 L-18          | 2775 | 11/64-40 L-18    |
| 38       |      | 213-37308       | FIELD ADJUSTING A             | 2775 | 1                |
| 39       |      | 21010-012-000   | FIELD DRIVING S.T.W. BLOCK    | 2775 | 1                |
| 40       |      | 23-606101-TP    | SCREEN 24 L-18                | 2775 | 24               |
| 41       |      | 213-38300       | FIELD ADJUSTING BASK          | 2775 | 1                |
| 42       | 002  | 400-38712       | FELT HOLDER                   | 2775 | 1                |
| 43       |      | 23-612120-CP    | SCREEN 2/16-28 L-18           | 2775 | 2/16-28 L-18     |
| 44       |      | 213-11804       | FIELD REGULATOR SCREEN        | 2775 | 1                |
| 45       |      | 20-072701-00    | ROCKER RING                   | 2775 | 1                |
| 46       |      | 229-12000       | FIELD REGULATOR PIN           | 2775 | 1                |
| 47       |      | 229-12100       | FIELD REGULATOR PIN SPRING    | 2775 | 1                |
| 48       |      | 213-38000       | FIELD LINK ASH.               | 2775 | 1                |
| 49       |      | 213-38001       | FIELD LINK                    | 2775 | 1                |
| 50       |      | 400-09100       | CONNECTING FORCED LINK PIN    | 2775 | 1                |
| 51       |      | 00 232000-00    | DEL WICK                      | 275  | (0.14)           |
| 52       |      | 23-800012-TP    | SCREEN 25 L-6                 | 2775 | 25 L-6           |
| 53       |      | 213-38700       | FIELD ROD A                   | 2775 | 1                |
| 54       |      | 213-78900       | FIELD LINK PIN                | 2775 | 1                |
| 55       |      | 23-180001-00    | FIELD SCREW 5-10 N-8          | 2775 | 5-10 N-8         |
| 56       |      | 23-611000-TP    | SCREEN 17/64-40 L-14          | 2775 | 17/64-40 L-14    |
| 57       |      | 213-78200       | FIELD ROCK SHAFT BRCEL        | 2775 | 1                |
| 58       |      | 27-0620076-ED   | WASHER 8, 2X13X1              | 2775 | 2 8, 2X13X1      |
| 59       |      | 23-615010-TP    | SCREEN 15/64-28               | 2775 | 15/64-28         |
| 60       |      | 213-38300       | BACKWARD FIELD LEVER SHAFT    | 2775 | 1                |
| 61       |      | 21611-008-000   | FIELD FIELD ROCK SHAFT        | 2775 | 1                |
| 62       |      | 23-120101-CP    | TIGHT COLLAR ASH. 9-12 N-10   | 2775 | 9-12 N-10        |
| 63       |      | 23-120101-CP    | TIGHT COLLAR 9-12 N-10        | 2775 | 9-12 N-10        |
| 64       |      | 23-862019-TP    | SCREEN 1/4-40 L-8             | 2775 | 1/4-40 L-8       |
| 65       |      | 23-050002-ED    | DEL WICK                      | 275  | 1                |
| 66       |      | 213-38001       | REVERSE FIELD ROCK SHAFT      | 2775 | 1                |
| 67       |      | 213-38400       | FIELD ADJUSTING BASK SUPPORT  | 2775 | 1                |
| 68       | 002  | 23-7110710-CP   | SCREEN 17/64-40 L-14          | 2775 | 17/64-40 L-14    |
| 69       |      | 213-37403       | FELT                          | 2775 | 1                |
| 70       | 002  | 23-230210-TP    | SCREEN 9/64-40 L-8            | 2775 | 9/64-40 L-8      |
| 71       | 002  | 23-230210-TP    | FIELD ADJUSTING BASK          | 2775 | 1                |
| 72       | 002  | 214-07200       | FIELD ADJUSTING BASK          | 2775 | 1                |
| 73       | 002  | 400-38711       | FIELD ADJUSTING BASK R        | 2775 | 1                |
| 74       | 002  | 214-07400       | FITTING PLATE                 | 2775 | 1                |
| 75       | 002  | 23-711219-CP    | SCREEN 17/64-40 L-14          | 2775 | 17/64-40 L-14    |
| 76       | 002  | 213-38300       | SHOCK BLOCK                   | 2775 | 1                |
| 77       | 01   | 213-40300       | FIELD BASK (2.8X7.3)          | 2775 | 1                |
| 78       | 01   | 213-40300       | FIELD BASK (2.8X3.5)          | 2775 | 1                |
| 79       | 01   | 213-40300       | FIELD BASK (2.8X3.5)          | 2775 | 1                |
| 80       | 002  | 400-41248       | FIELD BASK (2.0-3.0)(FOR AM)  | 2775 | 1                |
| 81       | 003  | 400-51815       | FIELD BASK (2.0-3.0)          | 2775 | 1                |
| 82       | 003  | 400-51816       | FIELD BASK (2.5-3.5)          | 2775 | 1                |

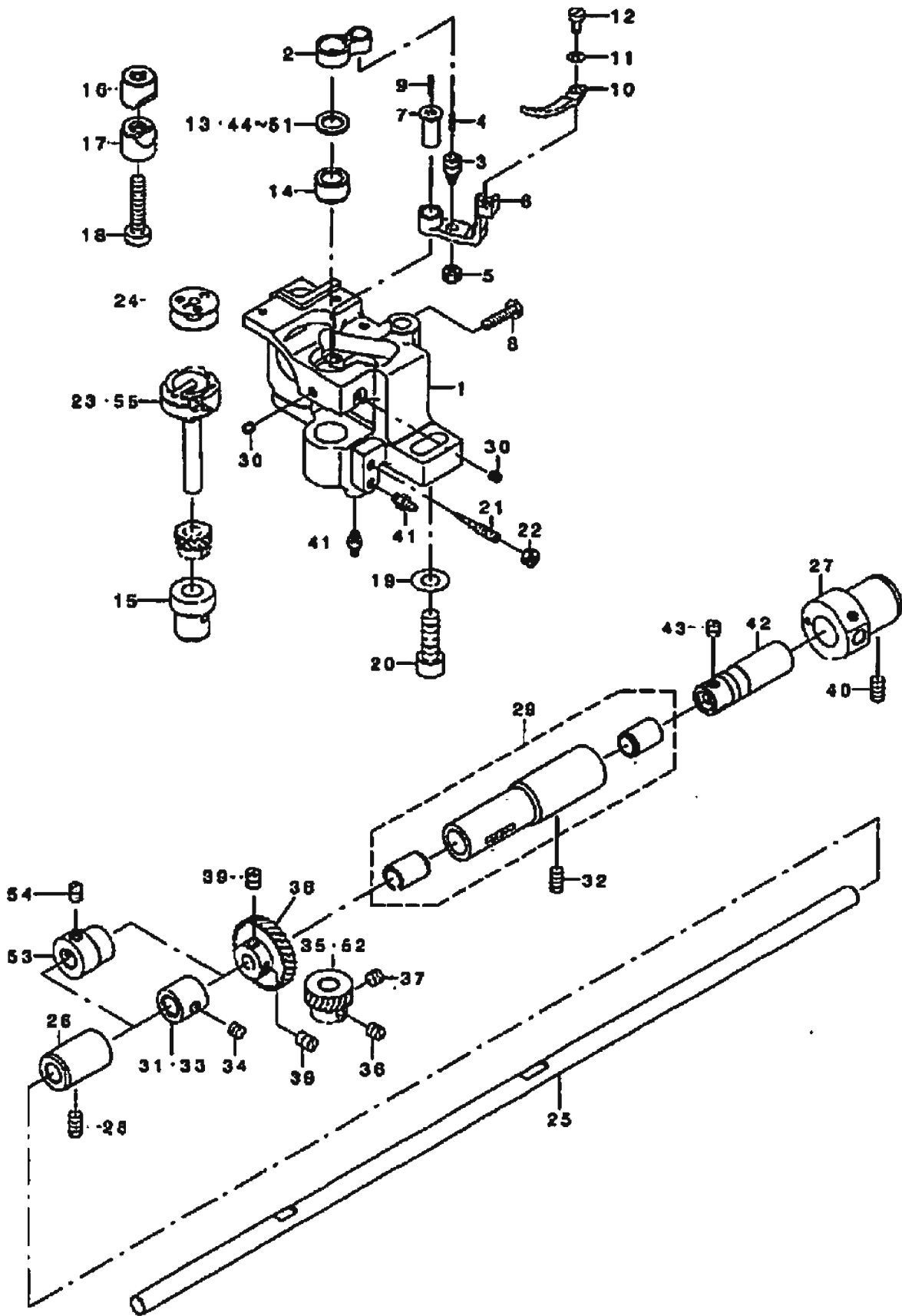
NOTE (2.02)

01....OPTIONAL PARTS(FOR 10-1610X-7)  
 02....FOR 10-1610X-7  
 03....OPTIONAL PARTS(FOR 10-1610X-7)

27 707015(L0-1610X-7)D  
 10-1610X-7J0  
 27 707015(L0-1610X-7)C

# 7. HOOK SHAFT & LOWER SHAFT COMPONENTS

钩轴·下轴图例



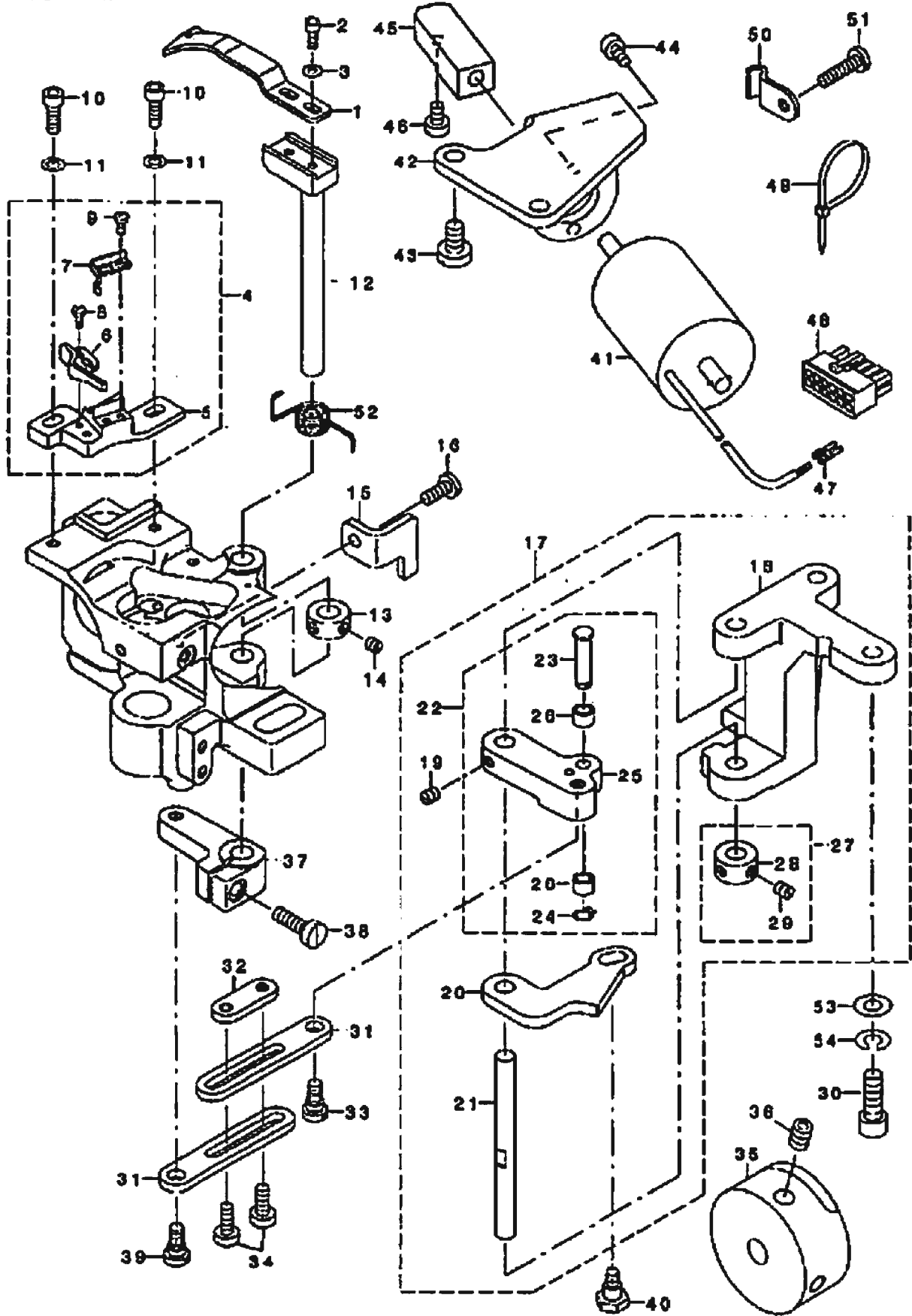


| REF. NO. | NOTE | PART NO.        | DESCRIPTION                    | QTY. |
|----------|------|-----------------|--------------------------------|------|
| 1        |      | 213-09000       | HOOK SHAFT BASE (RIGHT)        | 1    |
| 2        |      | 213-34909       | INNER HOOK GUIDE LINK          | 1    |
| 3        |      | B1821-051-000   | CRANK SCREW STUD               | 1    |
| 4        |      | CQ-2020000-00   | OIL WICK                       | 0.01 |
| 5        |      | NS-8110420-SP   | NUT 11/64-40                   | 1    |
| 6        |      | 213-35500       | GUIDE ARM (FOR THREAD CUTTING) | 1    |
| 7        |      | 213-35708       | INNER HOOK GUIDE ARM SHAFT     | 1    |
| 8        |      | SS-7111810-TP   | SCREW 11/64-40 L=18            | 1    |
| 9        |      | CQ-2020000-00   | OIL WICK                       | 0.01 |
| 10       |      | 213-35807       | INNER HOOK GUIDE               | 1    |
| 11       |      | WP-0371D16-SD   | WASHER 3.7X8X1                 | 1    |
| 12       |      | SS-6090810-SP   | SCREW 9/64-40 L=7.5            | 1    |
| 13       |      | 101-11102       | THRUST WASHER 1.3              | 1    |
| 14       |      | 213-78401       | HOOK SHAFT UPPER METAL         | 1    |
| 15       |      | 213-34701       | HOOK SHAFT LOWER METAL         | 1    |
| 16       |      | 101-09808       | SADDLE INSTALLING BLOCK, UPPER | 1    |
| 17       |      | 101-12407       | SADDLE INSTALLING BLOCK, LOWER | 1    |
| 18       |      | SS-6153040-SP   | SCREW 15/64-28 L=30            | 1    |
| 19       |      | WP-0850002-SP   | WASHER 8.5X18X1.6              | 1    |
| 20       |      | SN-50A2502-TP   | SCREW #8 L=25                  | 1    |
| 21       |      | B1834-512-000-A | OIL ADJUSTING SCREW            | 1    |
| 22       |      | NS-8110420-SP   | NUT 11/64-40                   | 1    |
| 23       |      | 213-67055       | THREAD THICKER HOOK ASM.       | 1    |
| 24       |      | 213-34800       | ALUMINUM BOLLIN WITH KNURL     | 1    |
| 25       |      | 213-33804       | LOWER SHAFT                    | 1    |
| 26       |      | 214-27307       | LOWER SHAFT METAL, REAR        | 1    |
| 27       |      | 226-11701       | PLUNGER BUSHING, B             | 1    |
| 28       |      | SS-8151150-TP   | SCREW 15/64-28 L=10.5          | 1    |
| 29       |      | B1803-515-0A0   | BUSHING ASM., INTERMEDIATE     | 1    |
| 30       |      | SS-8110422-TP   | SCREW 11/64-40 L=4             | 2    |
| 31       | 02   | B1840-051-000   | FEED DRIVING ECCENTRIC         | 1    |
| 32       |      | SS-8151150-TP   | SCREW 15/64-28 L=10.5          | 1    |
| 33       |      | 213-78104       | VERTICAL FEED CAM              | 1    |
| 34       |      | SS-8160510-TP   | SCREW 15/64-28 L=4.7           | 1    |
| 35       | 01   | B1817-051-000   | HOOK DRIVING SHAFT GEAR, SMALL | 1    |
| 36       |      | SS-8660670-SP   | SCREW 1/4-40 L=6.1             | 1    |
| 37       |      | SS-8660530-TP   | SCREW 1/4-40 L=4.5             | 1    |
| 38       |      | B1816-051-000   | HOOK DRIVING SHAFT GEAR, LARGE | 1    |
| 39       |      | SS-8660810-TP   | SCREW 1/4-40 L=8               | 2    |
| 40       |      | SS-8151150-5P   | SCREW 15/64-28 L=10.5          | 1    |
| 41       |      | SQ-1110401-MZ   | CONNECTING SCREW               | 2    |
| 42       |      | 226-11909       | OIL PUMP SHAFT                 | 1    |
| 43       |      | SS-8660530-TP   | SCREW 1/4-40 L=4.5             | 3    |
| 44       | 01   | 101-12704       | THRUST WASHER 1.8              | 1    |
| 45       | 01   | 101-08700       | THRUST WASHER, A               | 1    |
| 46       | 01   | 101-08809       | THRUST WASHER, B               | 1    |
| 47       | 01   | 101-10808       | BUSHING THRUST 1.1             | 1    |
| 48       | 01   | 101-11003       | THRUST WASHER 1.2              | 1    |
| 49       | 01   | 101-11201       | THRUST WASHER, P               | 1    |
| 50       | 01   | 101-12500       | THRUST WASHER 1.6              | 1    |
| 51       | 01   | 101-12506       | THRUST WASHER 1.7              | 1    |
| 52       |      | 400-42511       | HOOK DRIVING SHAFT GEAR        | 1    |
| 53       | +03  | 230-24409       | VERTICAL FEED CAM (1.5)        | 1    |
| 54       | +03  | SS-8150710-TP   | SCREW 15/64-28 L=7             | 2    |
| 55       | +03  | 213-34552       | THREAD CUTTING HOOK ASM.       | 1    |

NOTE (注記) 01....SELECTIVE PARTS 選択部品  
02....OPTIONAL PARTS(FOR LU-1510N-7) オプション部品(LU-1510N-7用)  
03....FOR LU-1510NA-7 LU-1510NA-7用

# 8. THREAD CUTTING COMPONENTS

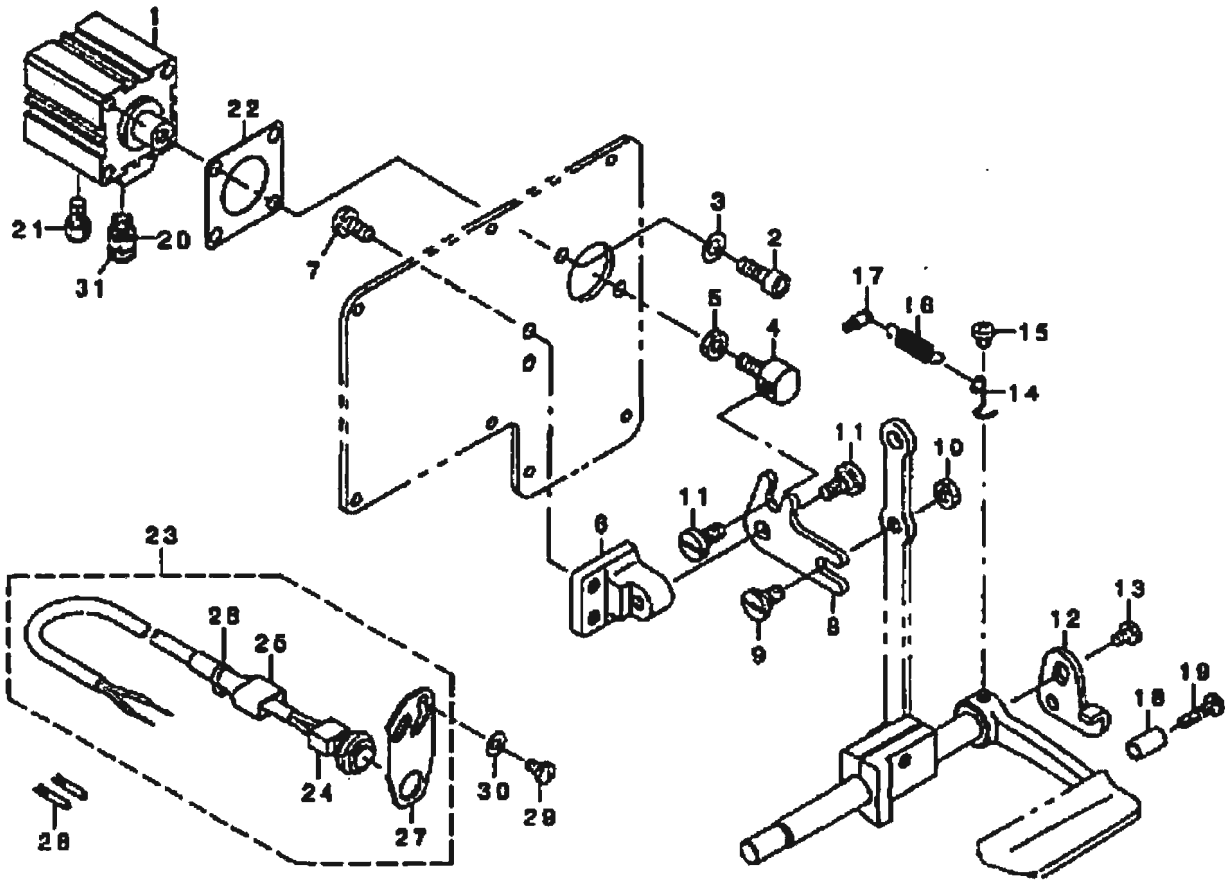
糸切り関係



| REF. NO. | NOTE | PART NO.        | DESCRIPTION                    | QTY. |
|----------|------|-----------------|--------------------------------|------|
| 1        |      | 213-89200       | MOVING KNIFE                   | 1    |
| 2        |      | SM-6030802-TP   | SCREW M3X0.5 L=8               | 2    |
| 3        |      | WP-0320501-SC   | WASHER M3                      | 2    |
| 4        |      | 213-89558       | FIXING KNIFE BASE (RIGHT) ASM. | 1    |
| 5        |      | 213-89507       | FIXING KNIFE BASE (RIGHT)      | (1)  |
| 6        |      | 213-89309       | FIXING KNIFE                   | (1)  |
| 7        |      | 213-89408       | CLAMP SPRING                   | (1)  |
| 8        |      | SS-7040610-SP   | SCREW 3/32-56 L= 5.5           | (2)  |
| 9        |      | SS-7040610-SP   | SCREW 3/32-56 L= 5.5           | (2)  |
| 10       |      | SM-6041202-TP   | SCREW M4X0.7 L=12              | 2    |
| 11       |      | WP-0430800-SC   | WASHER M4                      | 2    |
| 12       |      | 213-54907       | MOVING KNIFE SHAFT             | 1    |
| 13       |      | CS-0790731-SH   | THRUST COLLAR                  | 1    |
| 14       |      | SS-8110422-TP   | SCREW 11/64-40 L=4             | 2    |
| 15       |      | 213-54501       | THREAD CUTTING STOPPER (RIGHT) | 1    |
| 16       |      | SS-7111120-SP   | SCREW 11/64-40 L=10.5          | 1    |
| 17       |      | 213-53750       | VERTICAL FITTING BASIS ASM.    | 1    |
| 18       |      | 213-53701       | VERTICAL FITTING BASIS         | (1)  |
| 19       |      | SS-8110510-SP   | SCREW 11/64-40 L=5             | (2)  |
| 20       |      | 213-54006       | THREAD CUTTING DRIVING PLATE   | (1)  |
| 21       |      | 101-16804       | SHAFT                          | (1)  |
| 22       |      | 213-53858       | THREAD CUTTING ROLLER ARM      | (1)  |
| 23       |      | 213-53809       | CAN ROLLER SHAFT               | (1)  |
| 24       |      | D2430-555-800   | SNAP RING                      | (1)  |
| 25       |      | 213-53800       | THREAD CUTTING ROLLER ARM      | (1)  |
| 26       |      | D2427-555-800-B | CAN ROLLER                     | (2)  |
| 27       |      | CS-0700818-SH   | THRUST COLLAR ASM. D=7 W=8     | (1)  |
| 28       |      | CS-0700811-SH   | THRUST COLLAR D=7 W=8          | (1)  |
| 29       |      | SS-8110510-SP   | SCREW 11/64-40 L=5             | (2)  |
| 30       |      | SS-6151812-TP   | SCREW 15/64-28 L=18            | 2    |
| 31       |      | 213-54105       | CONNECTING PLATE               | 2    |
| 32       |      | 213-54204       | STOPPING PLATE                 | 1    |
| 33       |      | SD-0640325-SP   | HINGE SCREW                    | 1    |
| 34       |      | SS-8111140-SP   | SCREW 11/64-40 L=11            | 2    |
| 35       |      | 213-89911       | THREAD TRIMMER CAN             | 1    |
| 36       |      | SS-8660612-TP   | SCREW 1/4-40 L=6               | 2    |
| 37       |      | 213-80705       | ROCKING ARM (RIGHT)            | 1    |
| 38       |      | SS-6121610-TP   | SCREW 3/16-28 L=15.5           | 1    |
| 39       |      | SD-0640325-SP   | HINGE SCREW                    | 1    |
| 40       |      | SD-0640482-SP   | HINGE SCREW D= 6.35 D= 4.8     | 1    |
| 41       |      | 213-55102       | THREAD CUTTING SOLENOID        | 1    |
| 42       |      | 213-54500       | SOLENOID FITTING PLATE         | 1    |
| 43       |      | SS-6151040-SP   | SCREW 15/64-28 L=10            | 2    |
| 44       |      | SM-6040802-TP   | SCREW M4X0.7 L=8               | 2    |
| 45       |      | 213-54709       | SOLENOID CONNECTING PLATE      | 1    |
| 46       |      | SS-6110710-TP   | SCREW 11/64-40 L= 6.5          | 2    |
| 47       |      | HE-0346400-0A   | TERMINAL, FEMALE               | 2    |
| 48       |      | HE-0346101-20   | HOUSING 12P                    | 1    |
| 49       |      | EA-9500B01-00   | CABLE BAND                     | 1    |
| 50       |      | 226-20801       | PIPE HOLDER                    | 1    |
| 51       |      | SS-7111810-TP   | SCREW 11/64-40 L=18            | 1    |
| 52       |      | 213-90208       | MAINTENANCE SPRING             | 1    |
| 53       |      | WP-0621018-SD   | WASHER 6.2X13X1                | 2    |
| 54       |      | WS-0610002-1P   | SPRING WASHER                  | 2    |

# 9. AUTOMATIC BACK COMPONENTS

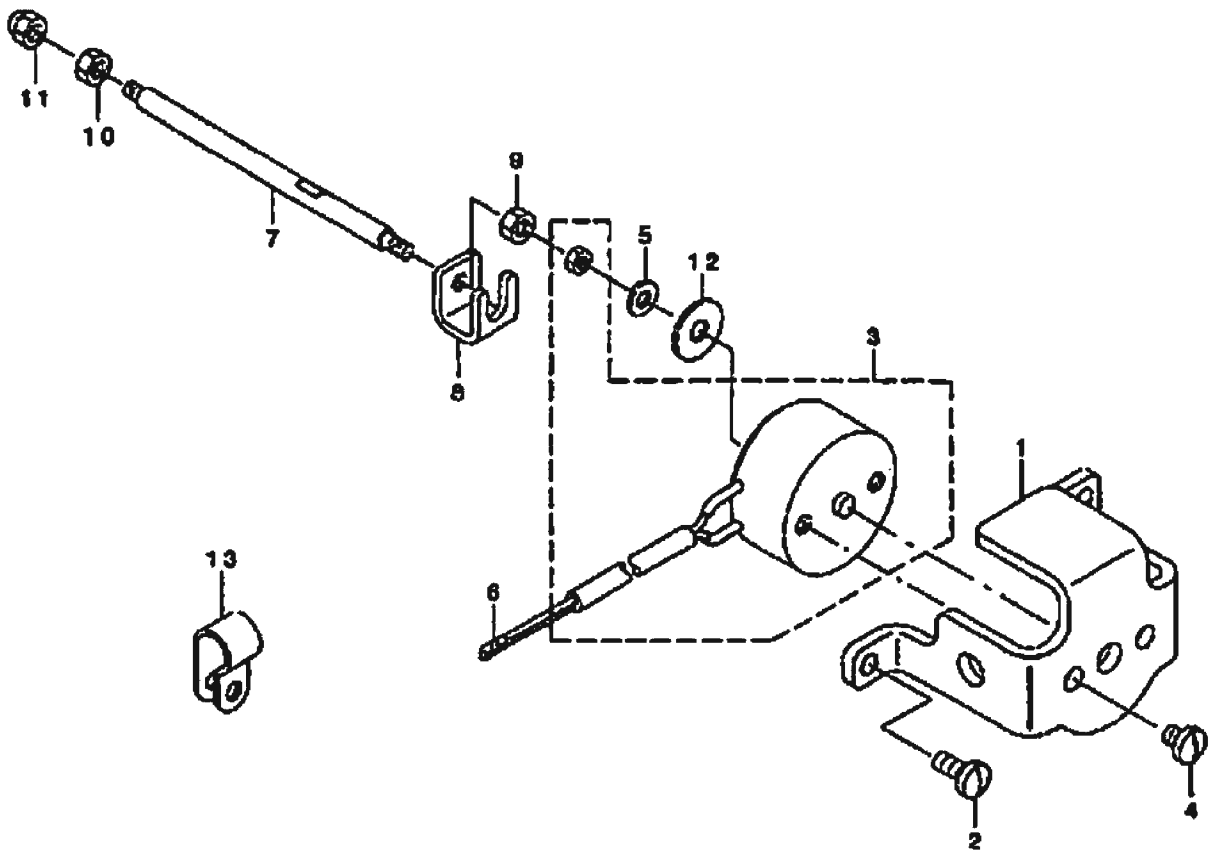
## 自動バック関係



| REF. NO. | NOTE | PART NO.      | DESCRIPTION               | QTY | QTY |
|----------|------|---------------|---------------------------|-----|-----|
| 1        |      | PA-3201502-00 | JIG CYLINDER              | 1   | 1   |
| 2        |      | SH-6081602-7P | SCREW #4 L-16             | 2   | 2   |
| 3        |      | WP-0641601-SD | WASHER #6                 | 2   | 2   |
| 4        |      | 213-48802     | CYLINDER CONTACTING SCREW | 1   | 1   |
| 5        |      | NE-6030003 SC | NUT #8                    | 1   | 1   |
| 6        |      | 213-48803     | FITTING BASE              | 1   | 1   |
| 7        |      | 88-7181210-5P | SCREW 15/64-28 L-12       | 2   | 2   |
| 8        |      | 213-48701     | BACKGROUND FEED LINK      | 1   | 1   |
| 9        |      | 30-0809402-7P | HINGE SCREW D=8 H=4       | 1   | 1   |
| 10       |      | NS-6150430-5P | NUT 15/64-28              | 1   | 1   |
| 11       |      | SD-0600353-5P | HINGE SCREW L=8 H=3.5     | 2   | 2   |
| 12       |      | 226-66102     | REVERSE FEED LINK, (1)    | 1   | 1   |
| 13       |      | 65-7120760-5P | SCREW 3/16-28 L=7.0       | 1   | 1   |
| 14       |      | 226-66003     | SPRING SUSPENSION         | 1   | 1   |
| 15       |      | SS-4120816-5P | SCREW 3/16-28 L-6         | 1   | 1   |
| 16       |      | 201-68208     | SPRING                    | 1   | 1   |
| 17       |      | 101-20004     | SPRING SUSPENSION         | 1   | 1   |
| 18       |      | 229-62601     | BACK LEVER STOPPER        | 1   | 1   |
| 19       |      | 65-7113810-5P | SCREW 11/64-40 L-18       | 1   | 1   |
| 20       |      | PJ-3910681-04 | HALF UNION                | 1   | 1   |
| 21       |      | PA-0161010-00 | BUFFER                    | 1   | 1   |
| 22       |      | 213-49105     | CYLINDER PACKING          | 1   | 1   |
| 23       |      | 409-24972     | TOUCH BACK SWITCH ASM.    | 1   | 1   |
| 24       |      | 01689-141-PA0 | TOUCH BACK SWITCH ASM     | (1) | (1) |
| 25       |      | MAT-8128700   | 2-POLE PLUG COVER         | (1) | (1) |
| 26       |      | ZA-0600501-00 | CABLE BAND                | (1) | (1) |
| 27       |      | 213-48800     | SWITCH FITTING PLATE      | (1) | (1) |
| 28       |      | HK-0340400-0A | TERMINAL, FEMALE          | 2   | 2   |
| 29       |      | SS-7110840-5P | SCREW 11/64-40 L=7.8      | 2   | 2   |
| 30       |      | WP-0501018-SD | WASHER 6X10, 6X1          | 2   | 2   |
| 31       |      | HK-0826600-00 | WIRE MARK(1)              | 1   | 1   |

10. THREAD RELEASE COMPONENTS

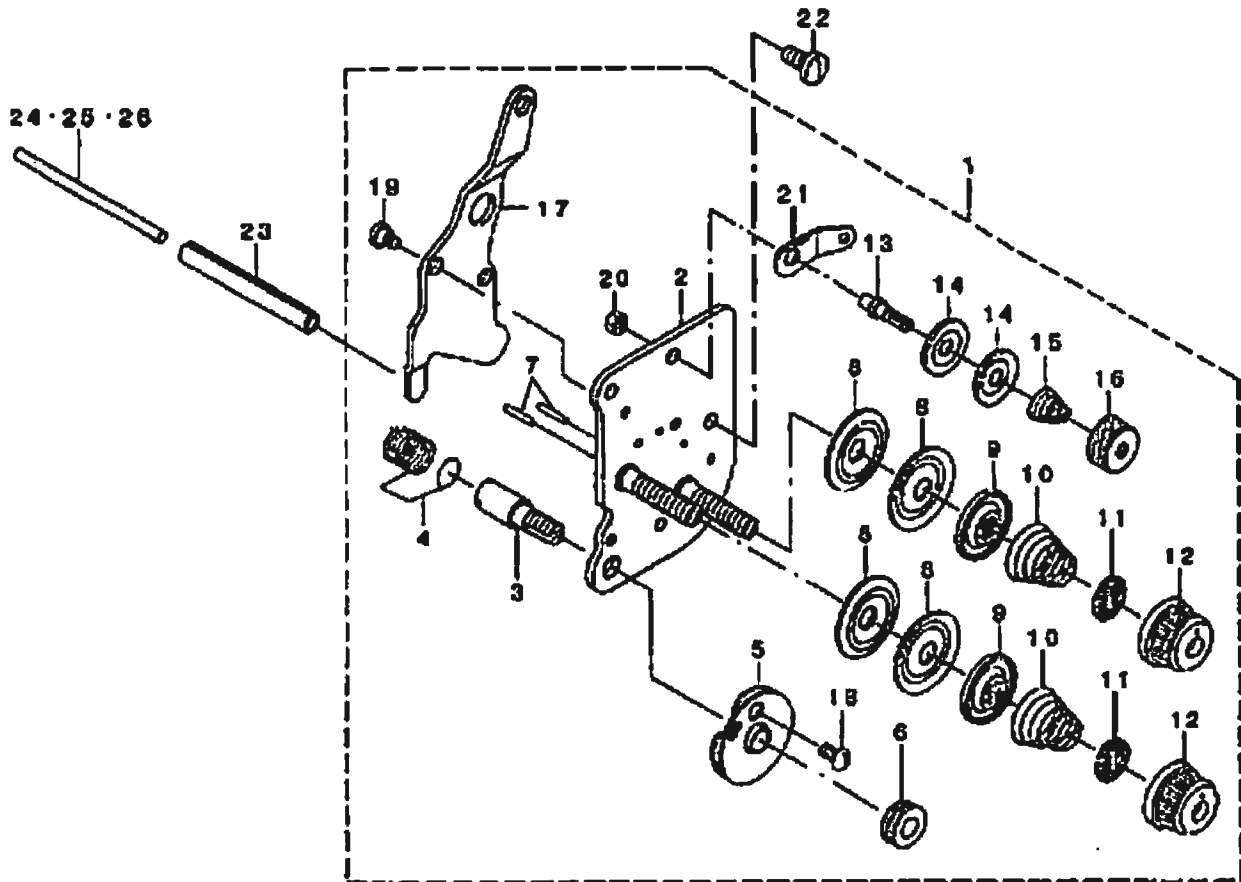
糸ゆるめ関係



| KEY NO. | NOTE | PART NO.      | DESCRIPTION               | 品名                | QTY |
|---------|------|---------------|---------------------------|-------------------|-----|
| 1       |      | 214-41407     | SOLENOID INSTALLING PLATE | ソレノイド 取り付け板       | 1   |
| 2       |      | SS-7110910-TP | SCREW 11/64-40 L= 8.5     | ビス 11/64-40 L=8.5 | 2   |
| 3       |      | 213-63106     | TENSION RELEASE SOLENOID  | 糸ゆるめソレノイド         | 1   |
| 4       |      | SS-7110670-SP | SCREW 11/64-40 L= 4.8     | ビス 11/64-40 L=4.8 | 2   |
| 5       |      | WP-0371018-SD | WASHER 3.7X8X1            | ワッシャー 3.7X8X1     | 1   |
| 6       |      | EX-0346400-0B | PIN CONTACT               | ピンコンタクト           | 2   |
| 7       |      | 214-41209     | TENSION RELEASE BAR       | 糸ゆるめ棒             | 1   |
| 8       |      | 214-41308     | COUPLING                  | カップリング            | 1   |
| 9       |      | KN-6040001-SK | NUT M4X0.7                | ナット M4            | 1   |
| 10      |      | KN-6040001-SK | NUT M4X0.7                | ナット M4            | 1   |
| 11      |      | NW-7040062-SB | NUT M4                    | ワッシャー M4          | 1   |
| 12      |      | WP-0501046-SC | WASHER 5 X 13 X 1         | ワッシャー 5X13X1      | 1   |
| 13      |      | EX-0012300-0A | CARRIER CLIP              | カーリアクリップ          | 1   |

11. THREAD TENSION COMPONENTS (FOR LU-1510N-7)

糸調子調整 (LU-1510N-7用)



| REF. NO. | NOTE | PART NO.      | DESCRIPTION                 | QTY |
|----------|------|---------------|-----------------------------|-----|
| 1        |      | 214-41068     | THREAD TENSION ASM.         | 1   |
| 2        |      | 214-41050     | TENSION POST COMPL.         | (1) |
| 3        |      | 103-20109     | SCREEN STUD                 | (1) |
| 4        |      | D3128-620-000 | TENSION SPRING              | (1) |
| 5        |      | B3137-627-000 | TAKE-UP SPRING GUIDE ASM.   | (1) |
| 6        |      | B3128-613-000 | THREAD TENSION NUT          | (1) |
| 7        |      | 226-18201     | TENSION RELEASE PIN, A      | (2) |
| 8        |      | D3128-613-000 | THREAD TENSION DISK         | (4) |
| 9        |      | 226-17006     | THREAD TENSION DISK PRESSER | (2) |
| 10       |      | R3129-628-000 | TENSION SPRING (1,2)        | (2) |
| 11       |      | R3120-126-000 | ROTATING STOPPER            | (2) |
| 12       |      | 110-56602     | THREAD TENSION EDGE, BLUE   | (2) |
| 13       |      | 101-24204     | THREAD TENSION POST, A      | (1) |
| 14       |      | 107-41106     | FIRST THREAD TENSION PLATE  | (2) |
| 15       |      | 110-46101     | THREAD TENSION SPRING       | (1) |
| 16       |      | 110-72401     | THREAD TENSION NUT          | (1) |
| 17       |      | B3134-621-000 | TENSION RELEASE LEVER       | (1) |
| 18       |      | SS-3060710-TP | SCREEN 9/64-40 L=7          | (1) |
| 19       |      | SD-0470281-SP | HINGE SCREW D=4.7 H=2.8     | (2) |
| 20       |      | NS-6110310-SP | NUT 11/64-40                | (1) |
| 21       |      | NA162-635-N00 | THREAD GUIDE                | (1) |
| 22       |      | SS-7110910-TP | SCREW 11/64-40 L= 8.5       | 2   |
| 23       |      | PS-0800602-EP | SPRING PIN                  | 1   |
| 24       | 01   | 213-48206     | TENSION RELEASE BAR         | 1   |
| 25       | 01   | 103-21107     | TENSION RELEASE BAR         | 1   |
| 26       |      | 233-06406     | TENSION RELEASE BAR         | 1   |

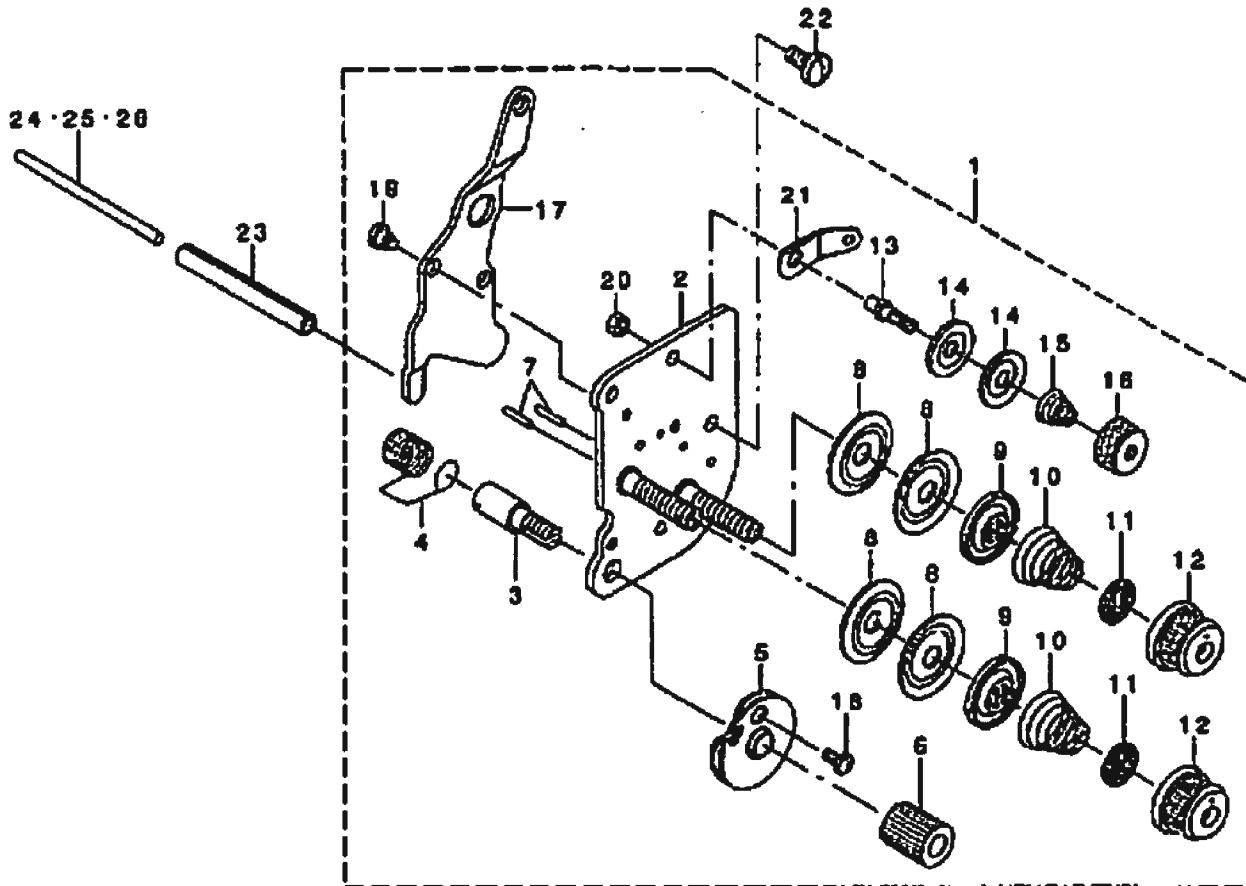
NOTE (注)

01...SELECTIVE PARTS

選択部品

12. THREAD TENSION COMPONENTS (FOR LU-1510NA-7)

糸調子関係 (LU-1510NA-7用)



| REF. NO. | NOTE | PART NO.      | DESCRIPTION                 | 1 | 2 | 3 | 4 | UNIT |
|----------|------|---------------|-----------------------------|---|---|---|---|------|
| 1        |      | 400 39937     | THREAD TENSION ASM.         |   |   |   |   | 1    |
| 2        |      | 214-41060     | TENSION POST COMPL.         |   |   |   |   | (1)  |
| 3        |      | 103-29108     | SCREEN STUD                 |   |   |   |   | (1)  |
| 4        |      | 83128-051-000 | THREAD TAKE-UP SPRING, Δ    |   |   |   |   | (1)  |
| 5        |      | 83137-527-040 | TAKE-UP SPRING GUIDE ASM.   |   |   |   |   | (1)  |
| 6        |      | 103-29204     | THREAD TENSION STUD NUT     |   |   |   |   | (1)  |
| 7        |      | 226-18201     | TENSION RELEASE PIN, Δ      |   |   |   |   | (2)  |
| 8        |      | 83128-012-000 | THREAD TENSION DISK         |   |   |   |   | (4)  |
| 9        |      | 226-17906     | THREAD TENSION DISK PRESSER |   |   |   |   | (2)  |
| 10       |      | 83129-526-000 | TENSION SPRING (1.2)        |   |   |   |   | (2)  |
| 11       |      | 83120-125-000 | ROTATING STOPPER            |   |   |   |   | (2)  |
| 12       |      | 110-59902     | THREAD TENSION KNOB, BLUE   |   |   |   |   | (2)  |
| 13       |      | 101-24204     | THREAD TENSION POST, Δ      |   |   |   |   | (1)  |
| 14       |      | 107-41106     | FIRST THREAD TENSION PLATE  |   |   |   |   | (2)  |
| 15       |      | 110-45101     | THREAD TENSION SPRING       |   |   |   |   | (1)  |
| 16       |      | 110-72402     | THREAD TENSION NUT          |   |   |   |   | (1)  |
| 17       |      | 214-41100     | TENSION RELEASE PLATE       |   |   |   |   | (1)  |
| 18       |      | SS-4080610-SP | SCREW 1/8-44 L=6.4          |   |   |   |   | (1)  |
| 19       |      | SD-0470281-8P | HINGE SCREW D=4.7 H=2.8     |   |   |   |   | (2)  |
| 20       |      | NS-6110310-SP | NUT 11/64-40                |   |   |   |   | (1)  |
| 21       |      | DS162-555-E60 | THREAD GUIDE                |   |   |   |   | (1)  |
| 22       |      | SS-7110910-7P | SCREW 11/64-40 L=8.5        |   |   |   |   | 2    |
| 23       |      | PS-0600502-KP | SPRING PIN                  |   |   |   |   | 1    |
| 24       | 01   | 213-48208     | TENSION RELEASE BAR         |   |   |   |   | 1    |
| 25       | 01   | 103-21107     | TENSION RELEASE BAR         |   |   |   |   | 1    |
| 26       |      | 130-08406     | TENSION RELEASE BAR         |   |   |   |   | 1    |

NOTE (7/82)

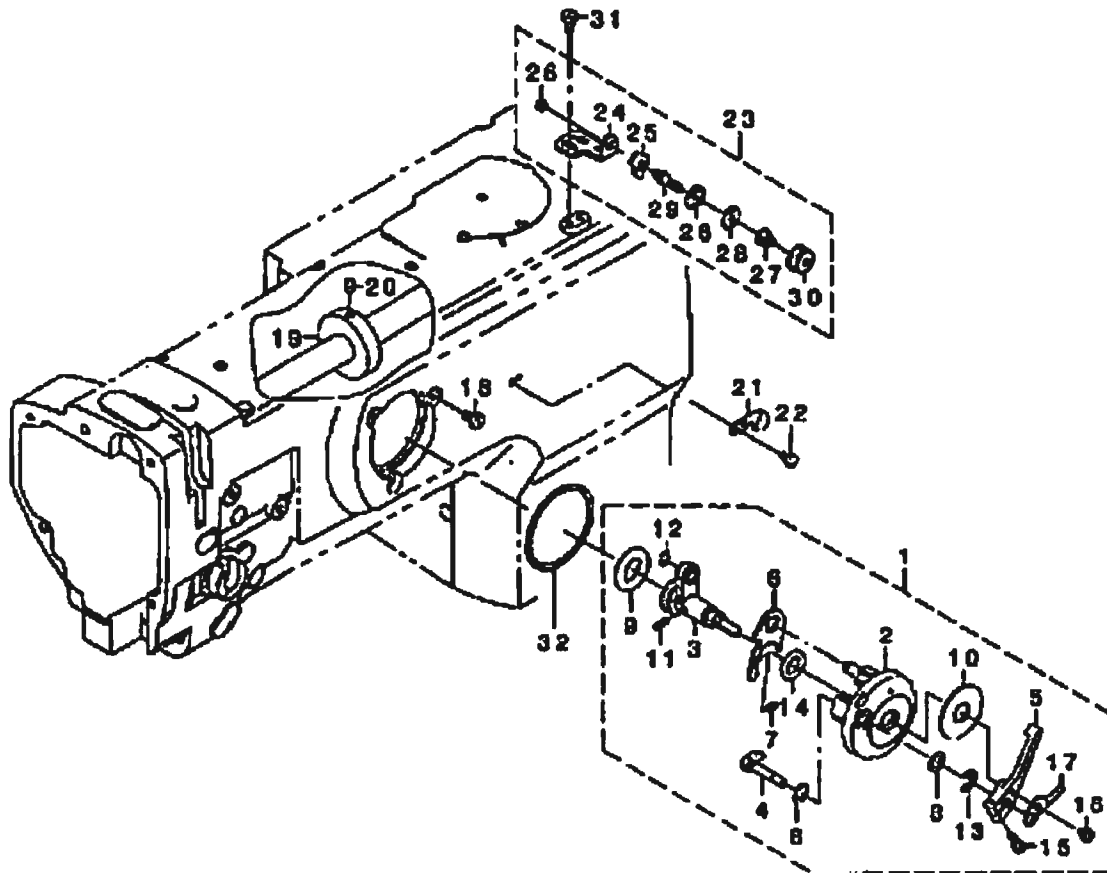
01...SELECTIVE PARTS

選択部品



13. LOWER THREAD WINDER MECHANISM COMPONENTS

下糸巻き装置関係

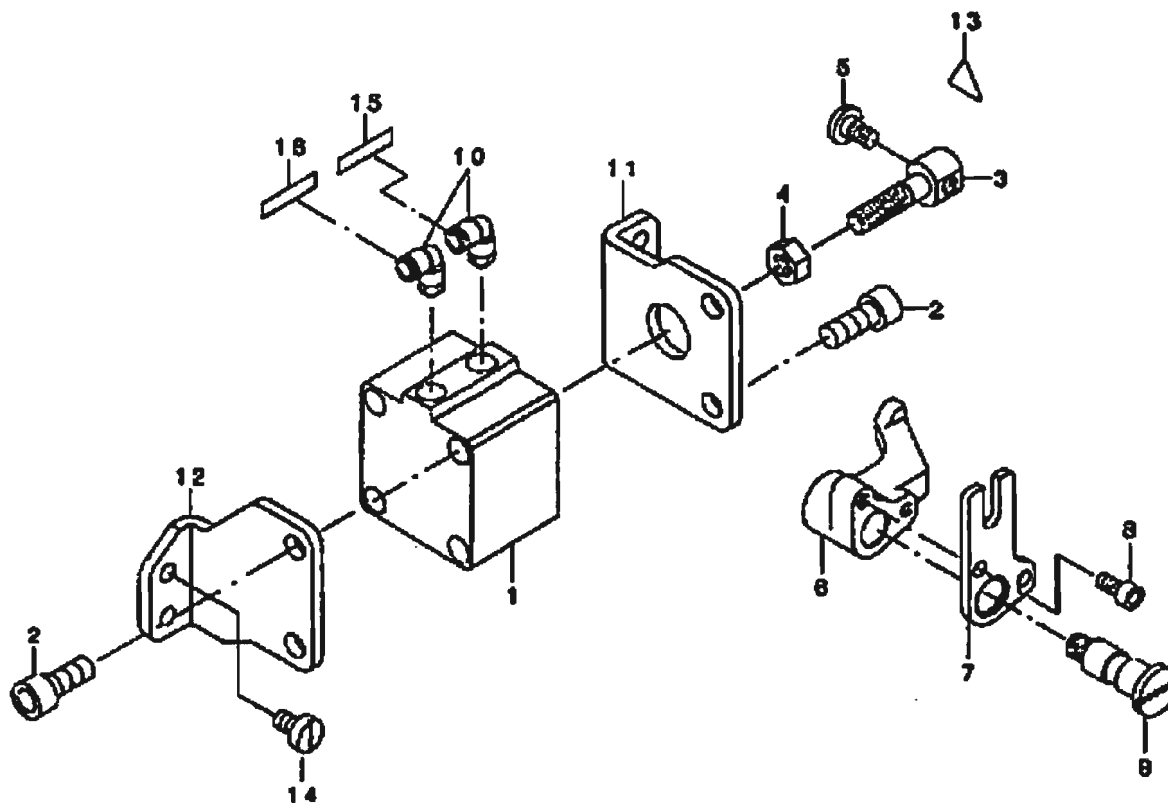


| REF. NO. | NOTE | PART NO.        | DESCRIPTION                 | 品名                  | Qty |
|----------|------|-----------------|-----------------------------|---------------------|-----|
| 1        |      | 213-67967       | BOBBIN DEVICE ASM.          | 付子装置(組)             | 1   |
| 2        |      | 225-37658       | BOBBIN FITTING PARTS COMPL. | 付子部品(組)             | (1) |
| 3        |      | 213-67059       | BOBBIN SHAFT COMPL.         | 付子軸(組)              | (1) |
| 4        |      | 225-38181       | BOBBIN CAR SHAFT COMPL.     | 付子車軸(組)             | (1) |
| 5        |      | 238-38202       | BOBBIN LEVER                | 付子レバー               | (1) |
| 6        |      | 213-36001       | ADJUSTING PLATE             | 付子調整板               | (1) |
| 7        |      | B1629-690-00C-A | PRESSURE FOOT SPRING        | 足圧簧                 | (1) |
| 8        |      | 104-18304       | VERTICAL ROLLER WASHER      | 縦方向ローラーワッシャー        | (2) |
| 9        |      | 213-68206       | BOBBIN FRICTION GEAR        | 付子摩擦歯車              | (1) |
| 10       |      | B3205-210-000   | CUSHION                     | クッション               | (1) |
| 11       |      | B1148-666-000   | SPRING                      | 付子簧                 | (1) |
| 12       |      | NR-0840711-KT   | RETAINING RING              | 止り輪                 | (1) |
| 13       |      | RE-0600009-KO   | X-RING                      | 付子Xリング              | (1) |
| 14       |      | RO-6823702-KO   | BOBBIN RING                 | 付子輪                 | (1) |
| 15       |      | ES-7091410-ET   | SCREW 9/64-40 L-13.5        | 付子ネジ 9/64-40 L-13.5 | (1) |
| 16       |      | ES-6890520-EP   | AXIS 9/64-40 L-5.0          | 付子軸 9/64-40 L-5.0   | (1) |
| 17       |      | 146-12503       | BOBBIN ADJUSTING PLATE      | 付子調整板               | (1) |
| 18       |      | ES-6110810-TP   | SCREW 11/64-40 L-8          | 付子ネジ 11/64-40 L-8   | 2   |
| 19       |      | 107-04307       | BOBBIN FRICTION WHEEL       | 付子摩擦車輪              | 1   |
| 20       |      | SM-8030602-TP   | SCREW K5 L-6                | 付子ネジ K5 L-6         | 2   |
| 21       |      | 105-02100       | THREAD CUTTER               | 付子糸切                | 1   |
| 22       |      | SS-6000620-SP   | SCREW 9/64-40 L-6           | 付子ネジ 9/64-40 L-6    | 2   |
| 23       |      | 213-65765       | LOWER THREAD GUIDE ASM.     | 下糸ガイド装置(組)          | 1   |
| 24       |      | 213-65706       | FITTING BASE                | 付子部品                | (1) |
| 25       |      | D3162-555-600   | THREAD GUIDE                | 付子糸ガイド              | (1) |
| 26       |      | NS-6110310-SP   | NUT 11/64-40                | 付子ナット 11/64-40      | (1) |
| 27       |      | D3168-555-600   | TENSION SPRING NO. 1        | 付子糸張り簧              | (1) |
| 28       |      | B3214-047-000   | BOBBIN WINDER TENSION DISC  | 付子付子巻子張り盤           | (2) |
| 29       |      | 213-78788       | THREAD TENSION POST         | 付子糸張りポスト            | (1) |
| 30       |      | 110-72402       | THREAD TENSION NUT          | 付子糸張りナット            | (1) |
| 31       |      | SM-8049000-SP   | SCREW                       | 付子ネジ                | 2   |
| 32       |      | 225-38705       | PACKING                     | 付子付子部品              | 1   |



# 14. AUTOMATIC PRESSER LIFTING MECHANISM COMPONENTS

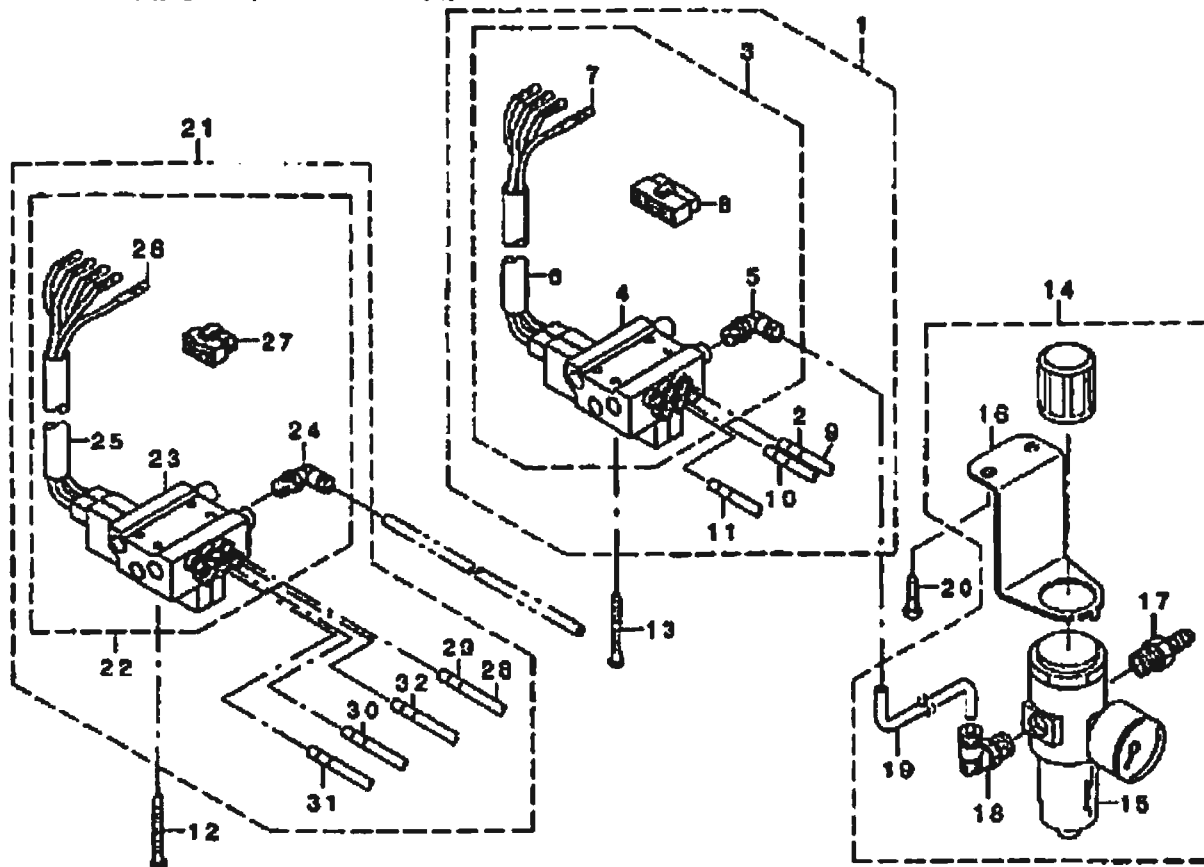
自動押え上げ装置関係



| REF. NO. | NOTE | PART NO.      | DESCRIPTION               | QTY |
|----------|------|---------------|---------------------------|-----|
| 1        |      | PA-4001501-00 | AIR CYLINDER              | 1   |
| 2        |      | SM-6082002-SP | SCREW M8 L=20             | 4   |
| 3        |      | 213-66606     | CYLINDER CONNECTING SCREW | 1   |
| 4        |      | NH-6080001-SE | NUT M8                    | 1   |
| 5        |      | SD-0720331-SP | HINGE SCREW D=7.24 H=3.3  | 1   |
| 6        |      | 213-88509     | PRESSER LIFTER LEVER A    | 1   |
| 7        |      | 213-58803     | PRESSER LIFTER LEVER B    | 1   |
| 8        |      | SM-6051002-TP | SCREW M8X0.8 L=10         | 2   |
| 9        |      | 213-58704     | SHAFT                     | 1   |
| 10       |      | PJ-3040851-02 | ELBOW                     | 2   |
| 11       |      | 213-58308     | CYLINDER STAY(FRONT)      | 1   |
| 12       |      | 213-68407     | CYLINDER STAY(REAR)       | 1   |
| 13       |      | CH-3002000-01 | ATTENTION SEAL            | 1   |
| 14       |      | SS-6151040-SP | SCREW 15/64-28 L=10       | 4   |
| 15       |      | DX-0028600-0A | WIRE MARK(2)              | 1   |
| 16       |      | DX-0028600-0B | WIRE MARK(3)              | 1   |

15. AIR MECHANISM COMPONENTS (FOR LU-1510N-7)

エア機構関係 (LU-1510N-7用)



| REF. NO. | NOTE | PART NO.      | DESCRIPTION                    | QTY | UNIT |
|----------|------|---------------|--------------------------------|-----|------|
| 1        |      | 400-24868     | AIR APPARATUS (B) ASM.         | 1   | PC   |
| 2        |      | HX-0029500-00 | WIRE MARK (1)                  | 1   | PC   |
| 3        |      | 400-24857     | ELECTROMAGNETIC VALVE (B) ASM. | 1   | PC   |
| 4        |      | GAK-A2302800  | ELECTROMAGNETIC VALVE A        | 1   | PC   |
| 5        |      | GAK-23010000  | ELBOW B                        | 1   | PC   |
| 6        |      | GAK-A1500000  | INSULATION TUBE                | 1   | PC   |
| 7        |      | EX-0346480-0A | TERMINAL, FEMALE               | 4   | PC   |
| 8        |      | EX-0346181-60 | 16-POLE RECEPTACLE             | 1   | PC   |
| 9        |      | BT-0600491-EB | TUBE                           | 1   | PC   |
| 10       |      | HX-0029500-0A | WIRE MARK (2)                  | 1   | PC   |
| 11       |      | HX-0029500-0B | WIRE MARK (3)                  | 1   | PC   |
| 12       |      | SK-3415081-SE | SCREW D=4.1 L=50               | 4   | PC   |
| 13       |      | SK-3415081-SE | SCREW D=4.1 L=50               | 4   | PC   |
| 14       |      | GAK-A2303800  | FILTER REGULATOR ASM.          | 1   | PC   |
| 15       |      | GAK-A2303600  | FILTER REGULATOR               | 1   | PC   |
| 16       |      | GAK-A2304000  | REGULATOR FITTING PLATE        | 1   | PC   |
| 17       |      | GAK-28011000  | NIPPLE                         | 1   | PC   |
| 18       |      | GAK-29005000  | ELBOW                          | 1   | PC   |
| 19       |      | BT-0600491-EB | TUBE                           | 1   | PC   |
| 20       |      | SK-3482881-SE | WOOD SCREW D=4.1 L=25          | 2   | PC   |
| 21       | 01   | 400-24868     | AIR APPARATUS (C) ASM.         | 1   | PC   |
| 22       |      | 400-24858     | ELECTROMAGNETIC VALVE (C) ASM. | 1   | PC   |
| 23       |      | GAK-A2302800  | ELECTROMAGNETIC VALVE C        | 1   | PC   |
| 24       |      | GAK-23012000  | ELBOW B                        | 1   | PC   |
| 25       |      | GAK-A1503600  | INSULATION TUBE                | 1   | PC   |
| 26       |      | EX-0346480-0A | TERMINAL, FEMALE               | 4   | PC   |
| 27       |      | EX-0346181-00 | 16P CONNECTOR                  | 1   | PC   |
| 28       |      | BT-0600491-EB | TUBE                           | 4   | PC   |
| 29       |      | HX-0029500-00 | WIRE MARK (1)                  | 1   | PC   |
| 30       |      | HX-0029500-0A | WIRE MARK (2)                  | 1   | PC   |
| 31       |      | HX-0029500-0B | WIRE MARK (3)                  | 1   | PC   |
| 32       |      | HX-0029500-0C | WIRE MARK (4)                  | 1   | PC   |

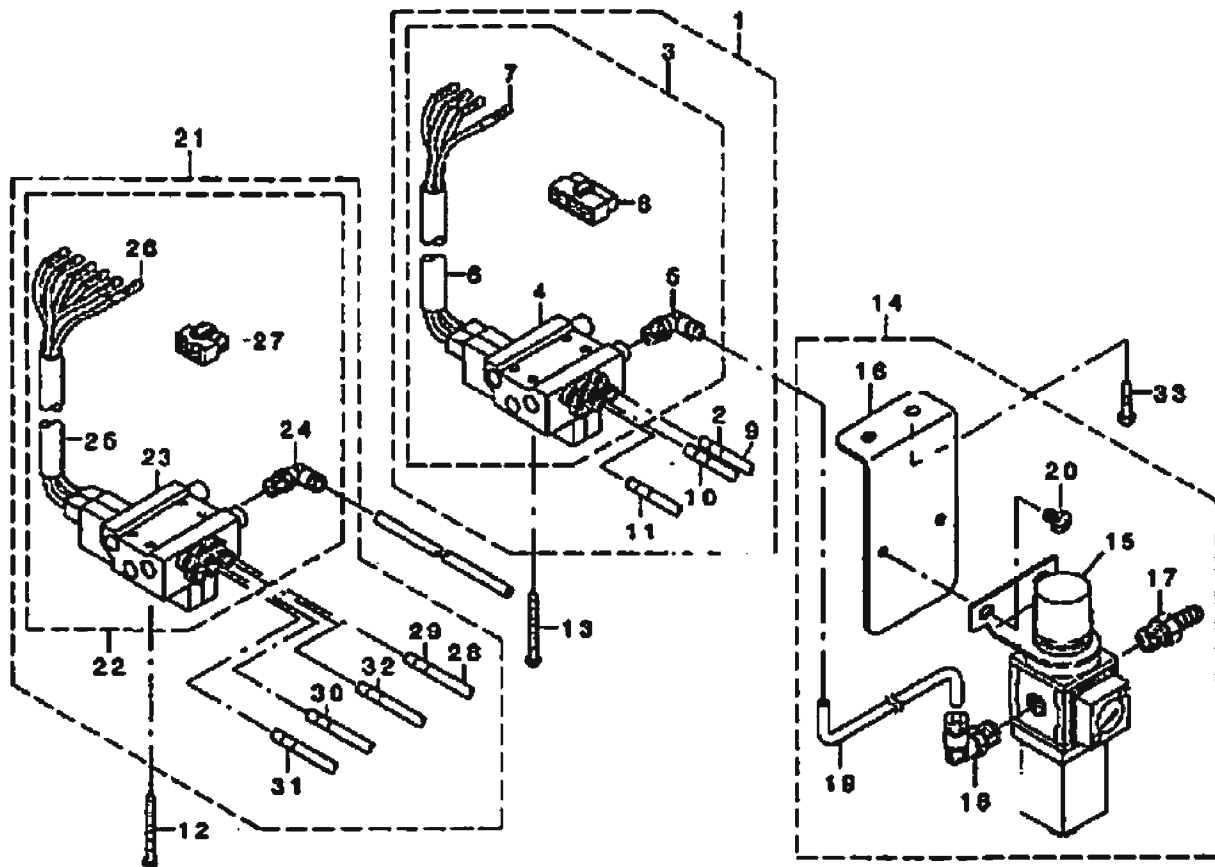
NOTE (注)

01... OPTIONAL PARTS

PC: PARTS LIST

16. AIR MECHANISM COMPONENTS (FOR LU-1510NA-7)

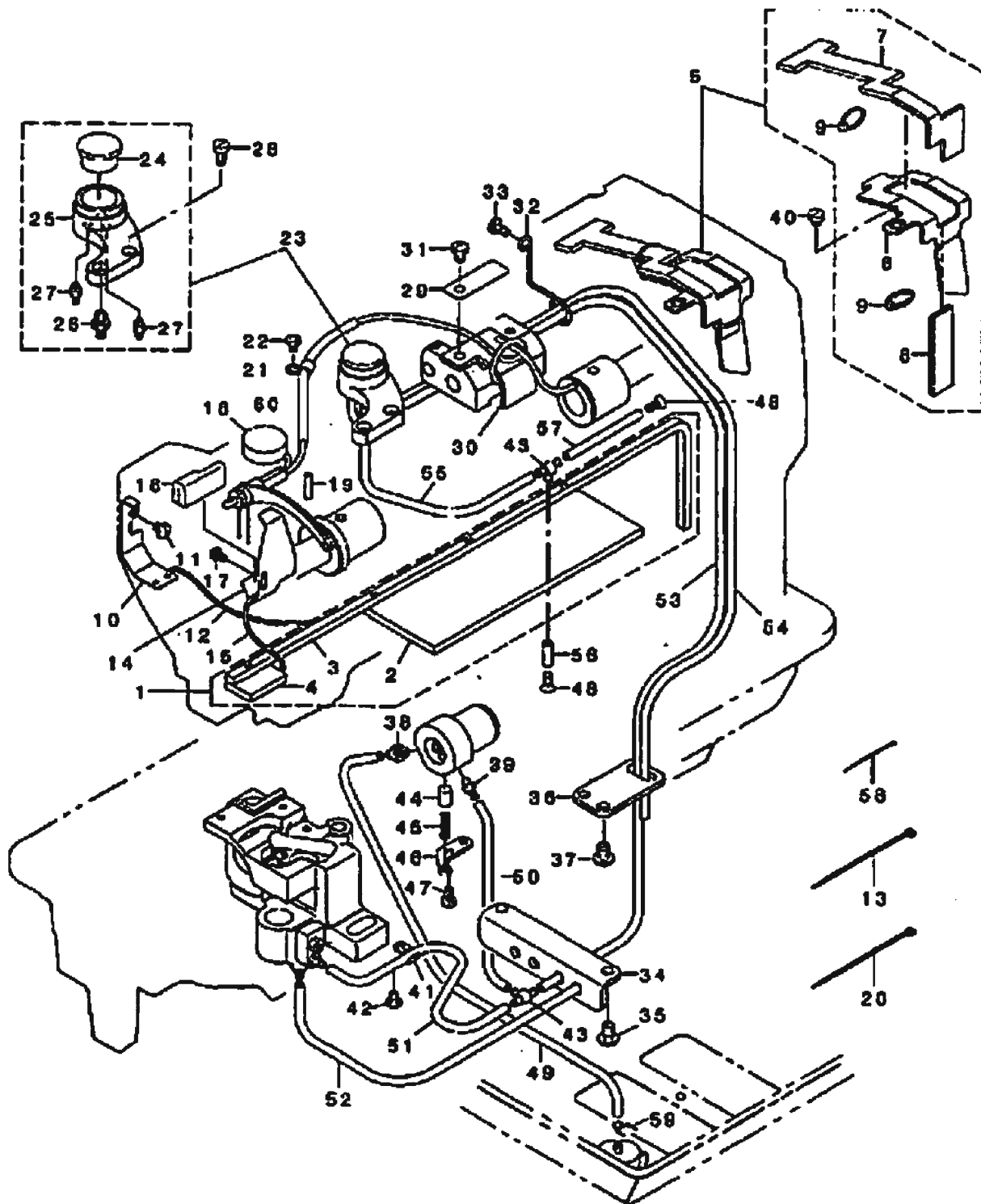
エア機構関係 (LU-1510NA-7用)



| REF. NO.  | NOTE | PART NO.      | DESCRIPTION                     | 品名                    | QTY. |
|-----------|------|---------------|---------------------------------|-----------------------|------|
| 1         |      | 400-40318     | AIR APPARATUS(Q) ASS.           | 17797(Q)(95)          | 1    |
| 2         |      | EX-0029500-00 | WIRE MARK(1)                    | 949-9-9(1)            | (3)  |
| 3         |      | 400-49817     | ELECTROMAGNETIC VALVE(Q) ASS.   | 5' 2' 2' A' 2'(91)    | (1)  |
| 4         |      | 400-49818     | MAGNETIC VALVE(Q)               | 5' 2' 2' A' 2'(Q)     | (1)  |
| 5         |      | GAK-2901000   | ELBOW B                         | 949994 FB (284-1)     | (1)  |
| 6         |      | GAK-A1503000  | INSULATION TUBE                 | 6' 2' 2' 2-7          | (1)  |
| 7         |      | EX-0346400-0A | TERMINAL, FEMALE                | 223-428 A' 2          | (4)  |
| 8         |      | EX-0346101-60 | 16-POLE RECEPTACLE              | 999' 2' 16P           | (1)  |
| 9         |      | ET-0600401-1B | TUBE                            | 93-7                  | (3)  |
| 10        |      | EX-0029500-0A | WIRE MARK(2)                    | 949-9-9(2)            | (3)  |
| 11        |      | EX-0029500-0B | WIRE MARK(3)                    | 949-9-9(3)            | (3)  |
| 12        |      | SK-3418001-8Z | SCREEN D=4.1 L=50               | 182922' D=4.1 L=50    | 4    |
| 13        |      | SK-3418001 EX | SCREEN D=4.1 L=50               | 182922' D=4.1 L=50    | 4    |
| 14        |      | 400-38722     | FILTER REGULATOR ASS.           | 7(184)4' 21-9(91)     | 1    |
| 15        |      | CF-0562170-A0 | FILTER REGULATOR                | 7(184)4' 21-9         | (1)  |
| 16        |      | 400-38723     | FILTER REGULATOR MOUNTING PLATE | 7(184)4' 21-9(91)     | (1)  |
| 17        |      | GAK-29011000  | NIPPLE                          | 17-94' 5              | (1)  |
| 18        |      | GAK-29008000  | NIPPLE                          | 949994' 9A (284)      | (1)  |
| 19        |      | ET-0600401-1B | TUBE                            | 93-7                  | (1)  |
| 20        |      | SK-4061001-8B | SCREEN H=10                     | 90-339' H=10          | (2)  |
| 21        | 01   | 400-38970     | AIR APPARATUS(N)ASS.            | 5' 2' 2' A' 2(N)(999) | 1    |
| 22        |      | 400-38900     | ELECTROMAGNETIC VALVE(N)ASS.    | 5' 2' 2' A' 2(N)(91)  | (1)  |
| 23        |      | 400-38908     | MAGNETIC VALVE(N)               | 5' 2' 2' A' 2(N)      | (1)  |
| 24        |      | GAK-29010000  | ELBOW B                         | 949994' FB (284)      | (1)  |
| 25        |      | GAK-A1503000  | INSULATION TUBE                 | 6' 2' 2' 2-7          | (1)  |
| 26        |      | EX-0346400-0A | TERMINAL, FEMALE                | 223-428 A' 2          | (8)  |
| 27        |      | EX-0346101-00 | 16P CONNECTOR                   | 999' 2' 16P           | (1)  |
| 28        |      | ET-0600401-1B | TUBE                            | 93-7                  | (4)  |
| 29        |      | EX-0029500-00 | WIRE MARK(1)                    | 949-9-9(1)            | (3)  |
| 30        |      | EX-0029500-0A | WIRE MARK(2)                    | 949-9-9(2)            | (3)  |
| 31        |      | EX-0029500-0B | WIRE MARK(3)                    | 949-9-9(3)            | (3)  |
| 32        |      | EX-0029500-0C | WIRE MARK(4)                    | 949-9-9(4)            | (3)  |
| 33        |      | SK-3482501-8Z | FOOD SCREEN D=4.8 L=25          | 184922' D=4.8 L=25    | 2    |
| NOTE (注意) |      |               | 01...OPTIONAL PARTS             | 27' 2' 2' 2' 2'       |      |

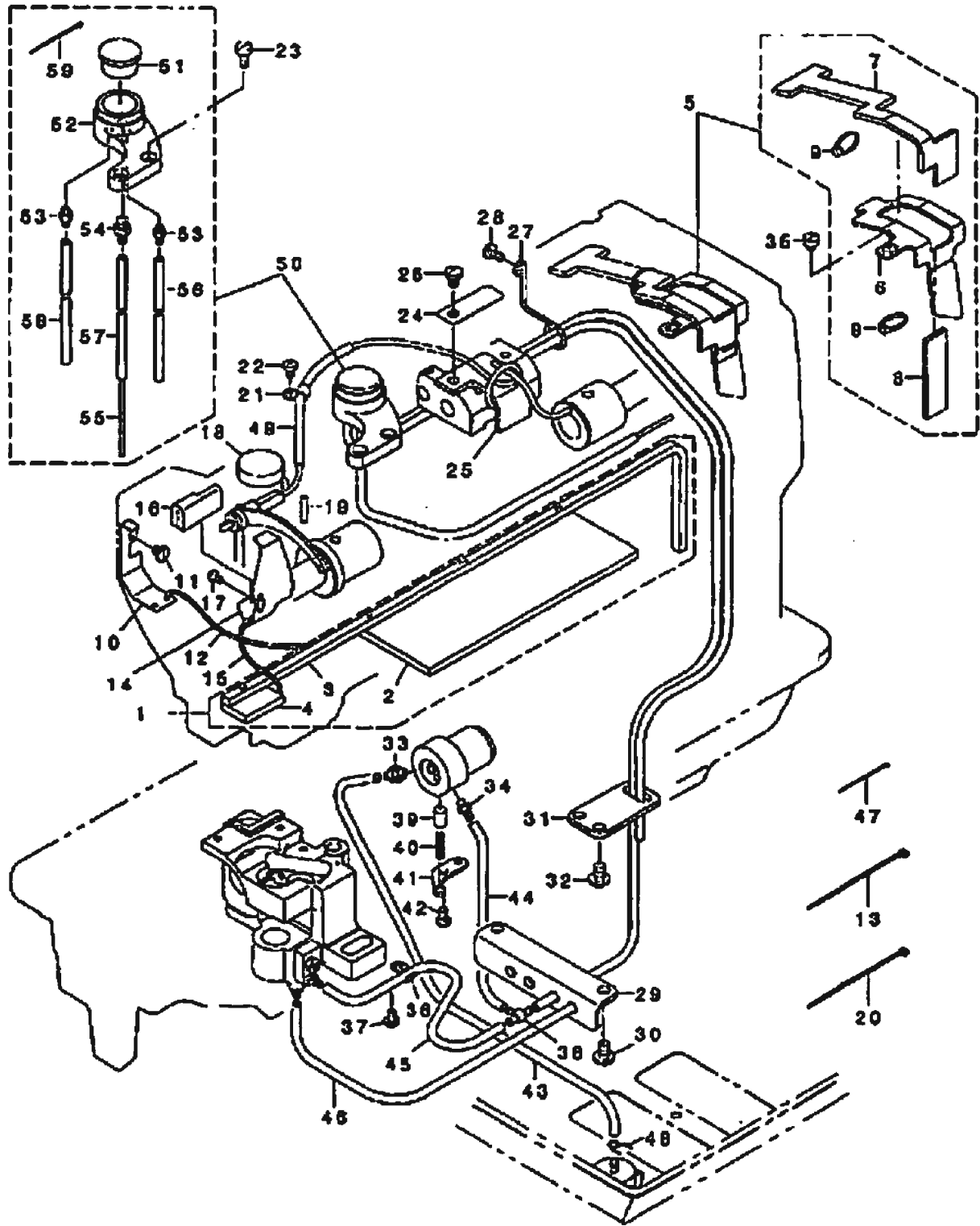
17. LUBRICATION COMPONENTS (FOR LU-1510N-7)

給油図係 (LU-1510N-7用)



| QTY. NO. | NOTE | PART NO.      | DESCRIPTION                    | QTY. |
|----------|------|---------------|--------------------------------|------|
| 1        |      | 213-45756     | ARM ONCE THROUGH OIL FELT ASM. | 1    |
| 2        |      | 213-45707     | ARM ONCE THROUGH FELT A        | (1)  |
| 3        |      | 213-45808     | FELT B                         | (1)  |
| 4        |      | 213-45905     | FACE ONCE THROUGH FELT         | (1)  |
| 5        |      | 213-46358     | FELT SUPPORT ASM.              | 1    |
| 6        |      | 213-46309     | FELT                           | (1)  |
| 7        |      | 213-46607     | FEEZ CHARGE FELT               | (1)  |
| 8        |      | 213-46408     | FELT                           | (1)  |
| 9        |      | EA-9500200-00 | CLIP CF-70S                    | (2)  |
| 10       |      | 213-40708     | UPPER FEED OIL BAR PLATE       | 1    |
| 11       |      | SS-7110510-8P | SCREW 11/64-40 L=5             | 1    |
| 12       |      | CQ-2020900-00 | OIL WICK                       | 0.2  |
| 13       |      | EA-9500801-00 | CABLE BAND                     | 1    |
| 14       |      | 213-47000     | TAKE-UP OIL PLATE              | 1    |
| 15       |      | CQ-2020900-00 | OIL WICK                       | 0.25 |
| 16       |      | 213-47208     | TAKE-UP LUBRICATION FELT       | 1    |
| 17       |      | SS-3080610-SP | SCREW 9/64-40 L=6              | 1    |
| 18       |      | 213-46002     | FELT                           | 1    |
| 19       |      | B1412-051-000 | FELT                           | 1    |
| 20       |      | A4078-550-00A | CLIP BAND                      | 1    |
| 21       |      | B3638-112-000 | OIL RETURN TUBE HOLDER         | 1    |
| 22       |      | SS-4110615-SP | SCREW 11/64-40 L=8             | 1    |
| 23       |      | 213-45657     | ARM OIL TANK ASM.              | 1    |
| 24       |      | B3520-586-000 | OIL SIGHT WINDOW               | (1)  |
| 25       |      | 213-45608     | ARM OIL TANK                   | (1)  |
| 26       |      | SQ-1110401-MZ | CONNECTING SCREW               | (1)  |
| 27       |      | SQ-1150451-MZ | CONNECTING SCREW               | (2)  |
| 28       |      | SS-6111010-SP | SCREW 11/64-40 L=9.5           | 2    |
| 29       |      | 213-46101     | LUBRICATION FELT PRESSER       | 1    |
| 30       |      | 213-46200     | MUTUAL VERTICAL CHANGE FELT    | 1    |
| 31       |      | SS-7120780-SP | SCREW 3/16-28 L=7.0            | 1    |
| 32       |      | 213-46806     | PIPE SUPPORT                   | 1    |
| 33       |      | SS-7110830-SP | SCREW 11/64-40 L=7.5           | 1    |
| 34       |      | 213-46103     | LUBRICATION BRACKET            | 1    |
| 35       |      | SS-4160915-SP | SCREW 15/64-28 L=9             | 2    |
| 36       |      | 213-46202     | OIL PIPE STAY                  | 1    |
| 37       |      | SS-4160915-SP | SCREW 15/64-28 L=9             | 2    |
| 38       |      | SQ-1150451-MZ | CONNECTING SCREW               | 1    |
| 39       |      | SQ-1110401-MZ | CONNECTING SCREW               | 1    |
| 40       |      | SS-6110480-SP | SCREW 11/64-40 L=4.3           | 1    |
| 41       |      | B3638-112-000 | OIL RETURN TUBE HOLDER         | 1    |
| 42       |      | SS-4110615-SP | SCREW 11/64-40 L=6             | 1    |
| 43       |      | 137-66607     | OIL CONVEC. ARM                | 2    |
| 44       |      | B3634-155-000 | PLUNGER                        | 1    |
| 45       |      | B1214-038-000 | PLUNGER SPRING                 | 1    |
| 46       |      | B3624-662-000 | PLUNGER THRUST PLATE           | 1    |
| 47       |      | SS-4110815-SP | SCREW 11/64-40 L=8             | 1    |
| 48       |      | SN-2041001-SB | SCREW M4X0.7 L=10              | 2    |
| 49       |      | 236-30007     | TUBE                           | 0.36 |
| 50       |      | 236-30007     | TUBE                           | 0.08 |
| 51       |      | 236-30007     | TUBE                           | 0.22 |
| 52       |      | 236-30007     | TUBE                           | 0.35 |
| 53       |      | 236-30007     | TUBE                           | 0.6  |
| 54       |      | 236-30007     | TUBE                           | 0.46 |
| 55       |      | 236-30007     | TUBE                           | 0.13 |
| 56       |      | 236-30007     | TUBE                           | 0.02 |
| 57       |      | 236-30007     | TUBE                           | 0.06 |
| 58       |      | EA-9500801-00 | CABLE BAND                     | 16   |
| 59       |      | 101-25803     | OIL TUBE HOLDER                | 1    |
| 60       |      | BT-0600402-EA | OIL TUBE                       | 0.12 |

18. LUBRICATION COMPONENTS (FOR LU-1510NA-7)  
 給油関係 (LU-1510NA-7用)

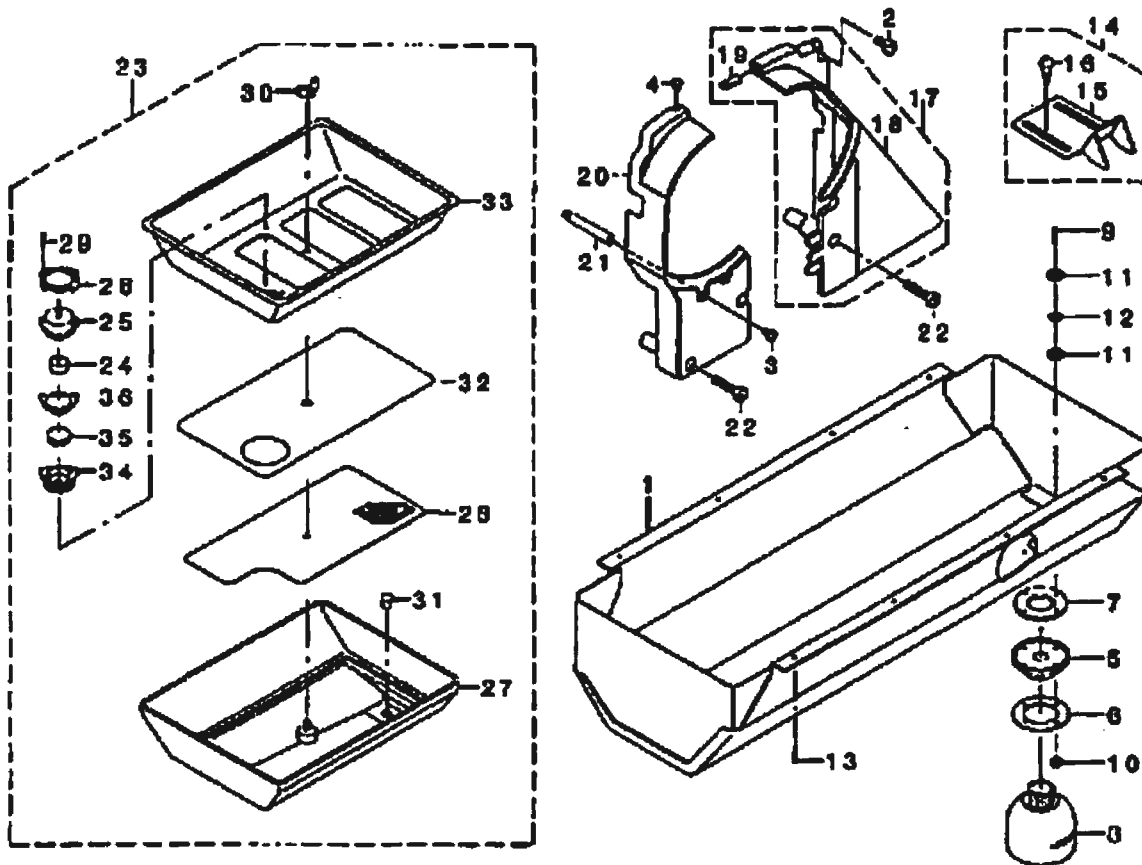


| REF. NO | QTY | PART NO.      | DESCRIPTION                    | UNIT                     | QTY    |
|---------|-----|---------------|--------------------------------|--------------------------|--------|
| 1       |     | 213-45756     | ARM ONCE THROUGH OIL FELT ASM. | 7-11071207281(92)LU-1610 | 1      |
| 2       |     | 213-45707     | ARM ONCE THROUGH FELT A        | 7-11071207281A           | (1)    |
| 3       |     | 213-45806     | FELT B                         | 7-11071207281B           | (1)    |
| 4       |     | 213-46906     | FACE ONCE THROUGH FELT         | 7-11071207281C           | (1)    |
| 5       |     | 213-46368     | FELT SUPPORT ASM.              | 7-11071207281D           | 1      |
| 6       |     | 213-46309     | FELT                           | 7-11071207281E           | (1)    |
| 7       |     | 213-46507     | FEED CHARGE FELT               | 7-11071207281F           | (1)    |
| 8       |     | 213-46408     | FELT                           | 7-11071207281G           | (1)    |
| 9       |     | EA-8600800-00 | CLIP CV-70S                    | CV-70S 60                | (2)    |
| 10      |     | 213-40708     | UPPER FEED OIL BAR PLATE       | 7-11071207281H           | 1      |
| 11      |     | SS-7110810-SP | SCREW 11/64-40 L=5             | SS-7110810-SP            | 1      |
| 12      |     | CQ-2020000-00 | OIL WICK                       | CQ-2020000-00            | 0.2    |
| 13      |     | FA-9500801-00 | CABLE BAND                     | FA-9500801-00            | 1      |
| 14      |     | 213-47000     | TAKE-UP OIL PLATE              | 213-47000                | 1      |
| 15      |     | CQ-2020000-00 | OIL WICK                       | CQ-2020000-00            | 0.25   |
| 16      |     | 213-47208     | TAKE-UP LUBRICATION FELT       | 213-47208                | 1      |
| 17      |     | SS-3080610-SP | SCREW 9/64-40 L=5              | SS-3080610-SP            | 1      |
| 18      |     | 213-46002     | FELT                           | 213-46002                | 1      |
| 19      |     | B1412-051-000 | FELT                           | B1412-051-000            | 1      |
| 20      |     | A4078-650-001 | CLIP BAND                      | A4078-650-001            | 1      |
| 21      |     | B3539-172-000 | OIL RETURN TUBE HOLDER         | B3539-172-000            | 1      |
| 22      |     | SS-4110815-SP | SCREW 11/64-40 L=6             | SS-4110815-SP            | 1      |
| 23      |     | SS-6111010-SP | SCREW 11/64-40 L= 9.5          | SS-6111010-SP            | 2      |
| 24      |     | 213-46101     | LUBRICATION FELT PRESSER       | 213-46101                | 1      |
| 25      |     | 213-46200     | KUTUAL VERTICAL CHARGE FELT    | 213-46200                | 1      |
| 26      |     | SS-7120760-SP | SCREW 3/16-28 L= 7.0           | SS-7120760-SP            | 1      |
| 27      |     | 213-46606     | PIPE SUPPORT                   | 213-46606                | 1      |
| 28      |     | SS-7110830-SP | SCREW 11/64-40 L= 7.5          | SS-7110830-SP            | 1      |
| 29      |     | 213-46103     | LUBRICATION BRACKET            | 213-46103                | 1      |
| 30      |     | SS-4150915-SI | SCREW 15/64-28 L=9             | SS-4150915-SI            | 2      |
| 31      |     | 213-45202     | OIL PIPE STAY                  | 213-45202                | 1      |
| 32      |     | SS-4150915-SP | SCREW 15/64-28 L=9             | SS-4150915-SP            | 2      |
| 33      |     | SQ-1150451-NZ | CONNECTING SCREW               | SQ-1150451-NZ            | 1      |
| 34      |     | SQ-1110401-NZ | CONNECTING SCREW               | SQ-1110401-NZ            | 1      |
| 35      |     | SS-6110480-SP | SCREW 11/64-40 L=4.3           | SS-6110480-SP            | 1      |
| 36      |     | B3538-112-000 | OIL RETURN TUBE HOLDER         | B3538-112-000            | 1      |
| 37      |     | SS-4110815-SI | SCREW 11/64-40 L=6             | SS-4110815-SI            | 1      |
| 38      |     | 137-65607     | OIL CONNEX. ARM                | 137-65607                | 1      |
| 39      |     | B3534-156-000 | PLUNGER                        | B3534-156-000            | 1      |
| 40      |     | B1214-038-000 | PLUNGER SPRING                 | B1214-038-000            | 1      |
| 41      |     | B3524-552-000 | PLUNGER THRUST PLATE           | B3524-552-000            | 1      |
| 42      |     | SS-4110815-SP | SCREW 11/64-40 L=8             | SS-4110815-SP            | 1      |
| 43      |     | 236-30007     | TUBE                           | 236-30007                | 0.36   |
| 44      |     | 236-30007     | TUBE                           | 236-30007                | 0.08   |
| 45      |     | 236-30007     | TUBE                           | 236-30007                | 0.22   |
| 46      |     | 236-30007     | TUBE                           | 236-30007                | 0.36   |
| 47      |     | EA-8600801-00 | CABLE BAND                     | EA-8600801-00            | 10     |
| 48      |     | 101-26803     | OIL TUBE HOLDER                | 101-26803                | 1      |
| 49      |     | BT-0600402-EA | OIL TUBE                       | BT-0600402-EA            | 0.12   |
| 50      |     | 400-61503     | ARM OIL TANK ASM.              | 400-61503                | 1      |
| 51      |     | B3520-586-060 | OIL SIGHT WINDOW               | B3520-586-060            | (1)    |
| 52      |     | 213-45608     | ARM OIL TANK                   | 213-45608                | (1)    |
| 53      |     | SQ-1110401-NZ | CONNECTING SCREW               | SQ-1110401-NZ            | (2)    |
| 54      |     | SQ-1150451-NZ | CONNECTING SCREW               | SQ-1150451-NZ            | (1)    |
| 55      |     | CQ-2520000-00 | OIL WICK                       | CQ-2520000-00            | (0.6)  |
| 56      |     | 236-30007     | TUBE                           | 236-30007                | (0.46) |
| 57      |     | 236-30007     | TUBE                           | 236-30007                | (0.2)  |
| 58      |     | 236-30007     | TUBE                           | 236-30007                | (0.6)  |
| 59      |     | FA-9500801-00 | CABLE BAND                     | FA-9500801-00            | (3)    |



# 19. BELT COVER & OIL RESERVOIR COMPONENTS

ベルトカバー・油受け関係

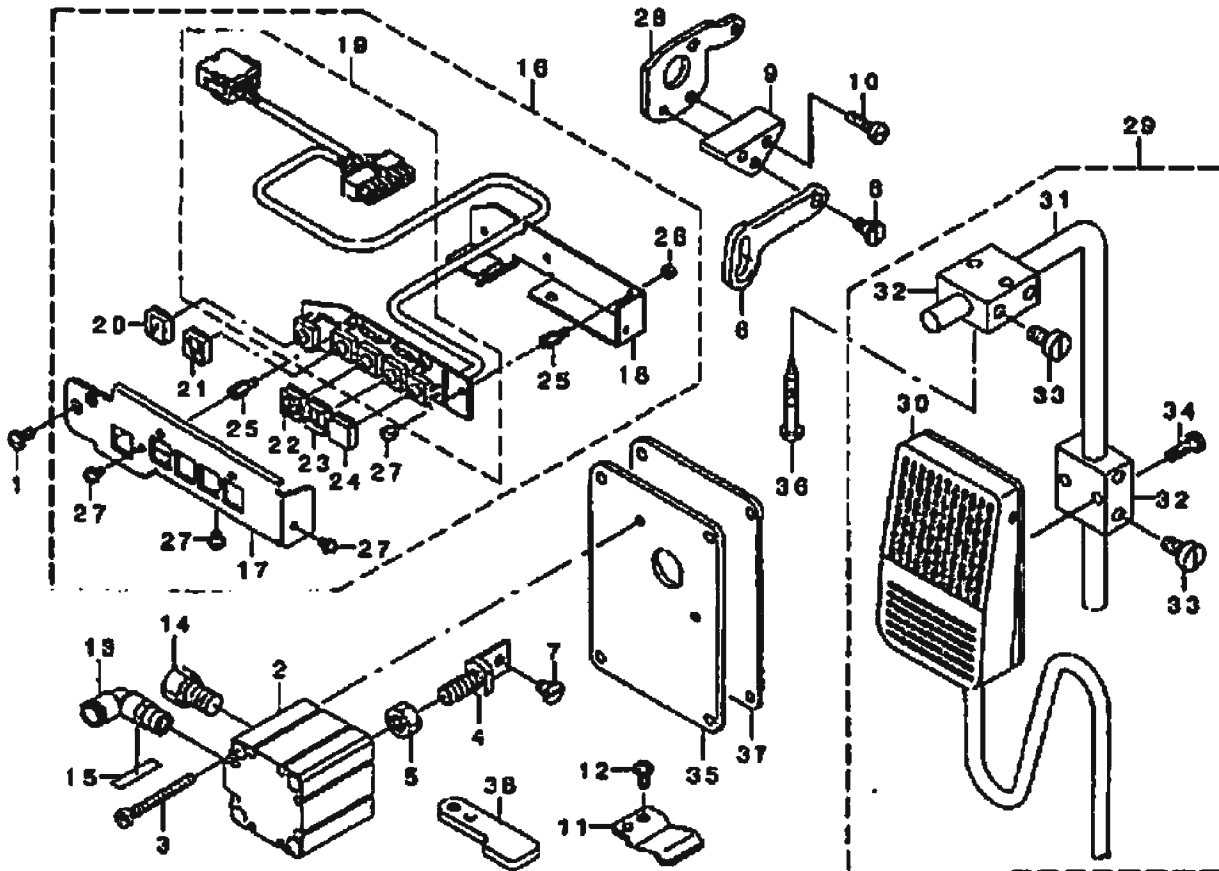


| REF. NO. | NOTE | PART NO.      | DESCRIPTION                     | QTY                  | QTY |
|----------|------|---------------|---------------------------------|----------------------|-----|
| 1        |      | 213-61461     | OIL RESERVOIR ASM.              | 77 591(94)           | 1   |
| 2        |      | SE-0151440-SP | SCREW 15/64-28 L-14             | 15237 15/64-28 L-14  | 1   |
| 3        |      | SE-7110840-SP | SCREW 11/64-40 L-7.8            | 15237 11/64-40 L-7.8 | 1   |
| 4        |      | SE 8110740-TP | SCREW 11/64-40 L- 6.5           | 15237 11/64-40 L-6.5 | 1   |
| 6        |      | 400-24399     | OIL PUT JOINT                   | 77 729               | 1   |
| 8        |      | Z(S)-18203    | OIL MANAGEMENT WAGNER           | 77 740 3 1           | 1   |
| 7        |      | 28123-228-000 | OIL SEAL                        | 77 724 2(27)-1       | 1   |
| 8        |      | 400 25380     | OIL PUT                         | 77 741 3             | 1   |
| 8        |      | SE-2031401-KK | SCREW HEXO. S L-14              | 15237 15220.8 L-14   | 4   |
| 10       |      | ME-6030601-80 | WHT HD                          | 15237 15220.8 172    | 4   |
| 11       |      | 107-48181     | OIL RESERVING BELTCOVER PACKING | 77 740 3 1 7 7 7     | 8   |
| 12       |      | VP-0320601-80 | WAGNER HD                       | 15237 3 3.22(20) 5   | 4   |
| 13       |      | SE-3241801-SC | WOOD SCREW B-2.4 L-16           | 15237 B-2.4 L-16     | 8   |
| 14       |      | 107-68284     | BELT COVER C ASM. (FOR JL)      | C 15237 -C(15237) 94 | 1   |
| 16       |      | 107-68285     | BELT COVER C (JE)               | C 15237 -C(15237)    | (1) |
| 16       |      | SE-3401801-SC | WOOD SCREW B-4.8 L-25           | 15237 B-4.8 L-25     | (2) |
| 17       |      | 213-61160     | BELT COVER ASM. (RIGHT)         | C 15237 - (24) 94    | 1   |
| 18       |      | 213-61181     | BELT COVER (RIGHT)              | C 15237 - (24)       | (1) |
| 19       |      | 213-61002     | BELT COVER AUXILIARY PLATE      | C 15237 - (24) 94    | (1) |
| 20       |      | 213-61289     | BELT COVER (LEFT)               | C 15237 - (24) 7     | 1   |
| 21       |      | ME338-241-806 | BELT COVER SUPPORT A            | C 15237 - 241 A      | 1   |
| 22       |      | SE-6182040-SP | SCREW 15/64-28 L-30             | 15237 15/64-28 L-30  | 2   |
| 23       |      | 213-45388     | OIL TANK ASM.                   | 15237(94)            | 1   |
| 24       |      | 107-87303     | FILTER                          | 7188                 | (1) |
| 25       |      | 107-87304     | FILTER CAP                      | 7188-8737            | (1) |
| 26       |      | 107-87302     | FILTER PLATE                    | 7188 871(9)          | (1) |
| 27       |      | 213-45331     | OIL TANK                        | 15237                | (1) |
| 28       |      | 213-46804     | COVER (LOWER)                   | 24 - (79)            | (1) |
| 28       |      | SE-0021000-TP | SCREW                           | 15237                | (3) |
| 30       |      | KE-0060001-80 | WHL. KUC. HEXO. S               | 15237 15220.8 172    | (1) |
| 31       |      | YA-0803001-80 | MIXER FLUR                      | 15237                | (1) |
| 32       |      | 213-46803     | FILTER                          | 7188                 | (1) |
| 33       |      | 213-46705     | COVER (REAR)                    | 24 - (92)            | (1) |
| 34       |      | 213-46809     | FILTER CASE                     | 7188-2               | (1) |
| 35       |      | 84224-125-000 | OIL RESERVOIR MAGNET            | 7 719                | (1) |
| 36       |      | 107-35105     | FILTER PACKING                  | 7188-A 94            | (1) |



20. DL MECHANISM (OPTION) COMPONENTS

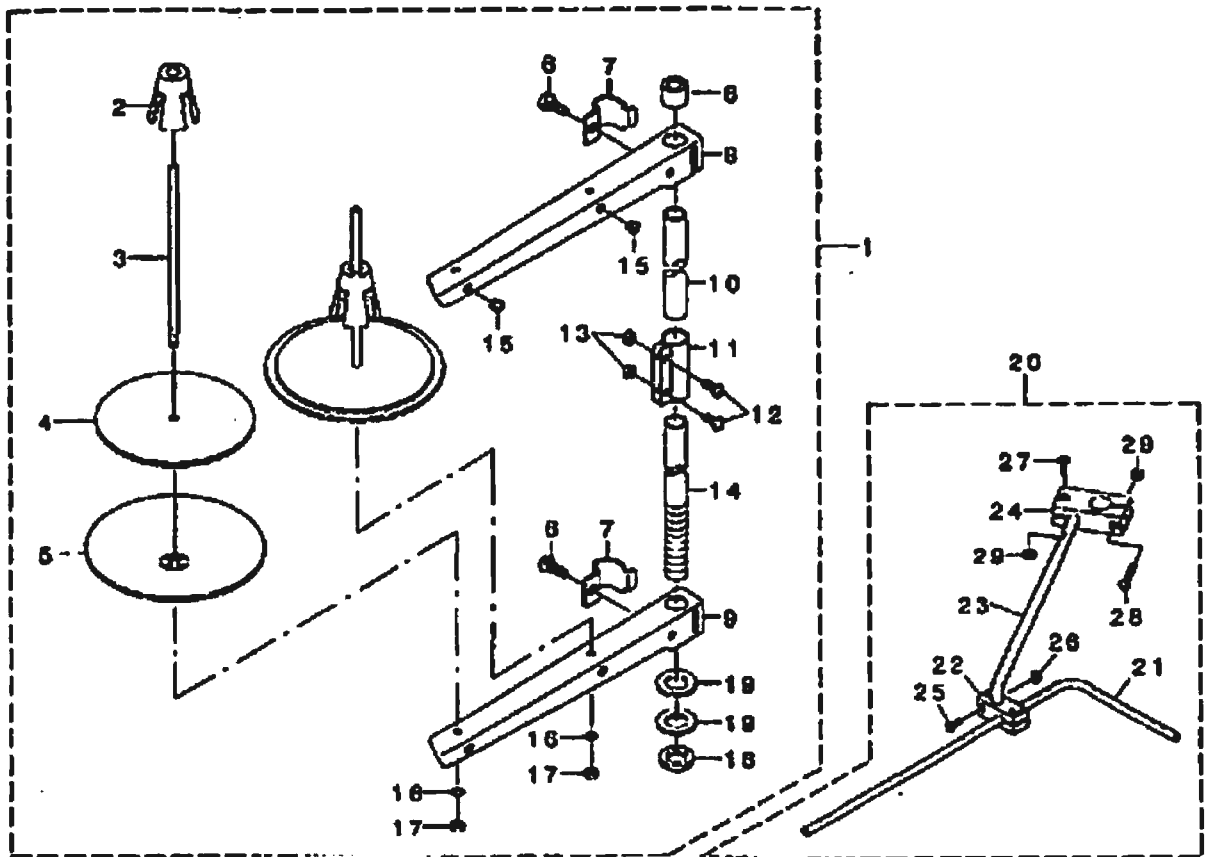
DL装置 (オプション) 関係



| REF. NO. | NOTE | PART NO.      | DESCRIPTION                   | QTY |
|----------|------|---------------|-------------------------------|-----|
| 1        |      | 22-711040-CP  | SCREW 11/64-40 L-T, A         | 2   |
| 2        |      | PA-3202001-00 | JIG CYLINDER                  | 1   |
| 3        |      | 2H-6044902-TP | SCREEN                        | 1   |
| 4        |      | 214-32483     | CYLINDER CONNECTING SCREEN    | 1   |
| 5        |      | 2H-0000721-02 | NUT B3                        | 1   |
| 6        |      | 214-32402     | INTERNAL VERTICAL LINK        | 1   |
| 7        |      | 23-0000403-TP | HINGE SCREEN                  | 1   |
| 8        |      | 23-0000454-TP | SHOULDER SCREEN               | 1   |
| 9        |      | 214-32601     | INTERNAL VERTICAL LINK SPACER | 1   |
| 10       |      | 22-6111510-CP | SCREW 11/64-40 L-16           | 2   |
| 11       |      | 214-42905     | INTERNAL VERTICAL LINK KEEPER | 1   |
| 12       |      | 22-4110810-CP | SCREW 11/64-40 L-8            | 2   |
| 13       |      | PJ-2040061-00 | ELBOW                         | 1   |
| 14       |      | PJ-0151010-00 | WHEEL                         | 1   |
| 15       |      | 2H-0028500-00 | WIRE WARE (4)                 | 1   |
| 16       |      | 400-22845     | SEARGE SWITCH ASX.            | 1   |
| 17       |      | 214-42903     | SWITCH COVER                  | (1) |
| 18       |      | 214-42902     | SWITCH CLEVIS FITTING BASE    | (1) |
| 19       |      | 400-22844     | SEARGE SWITCH SUB(A) ASX.     | (1) |
| 20       |      | 214-42900     | KEY TOP A                     | (1) |
| 21       |      | 214-42907     | KEY TOP B                     | (1) |
| 22       |      | 214-43106     | KEY TOP C                     | (1) |
| 23       |      | 214-43205     | KEY TOP D                     | (1) |
| 24       |      | 214-42909     | KEY TOP F                     | (1) |
| 25       |      | 2H-0213400-0H | SPACER                        | (4) |
| 26       |      | 2H-0213001-0C | NUT B3                        | (2) |
| 27       |      | 2H-0213001-0C | SCREEN WASH                   | (4) |
| 28       |      | 214-32406     | STUDYER PLATE B               | 1   |
| 29       |      | 400-22842     | SEARGE SWITCH ASX.            | 1   |
| 30       |      | 400-22803     | SEARGE SWITCH ASX.            | (1) |
| 31       |      | MAT-80231700  | TRIVING BAR, TUNA             | (1) |
| 32       |      | MAT-80230700  | SEARGE SWITCH SUPPORT BASE    | (2) |
| 33       |      | 22-6151220-CP | SCREEN 10/64-28 L=11.5        | (4) |
| 34       |      | 22-7111410-CP | SCREW 11/64-40 L=14           | (2) |
| 35       |      | 214-32207     | HIDDEN PLATE F                | 1   |
| 36       |      | 2H-3514000-0C | WOOD SCREW L=1.1 L=10         | 1   |
| 37       |      | 214-32306     | HIDDEN PLATE E PACKING        | 1   |
| 38       |      | 214-32206     | UPPER FIELD STOPPER PLATE     | 1   |

## 21. THREAD STAND COMPONENTS

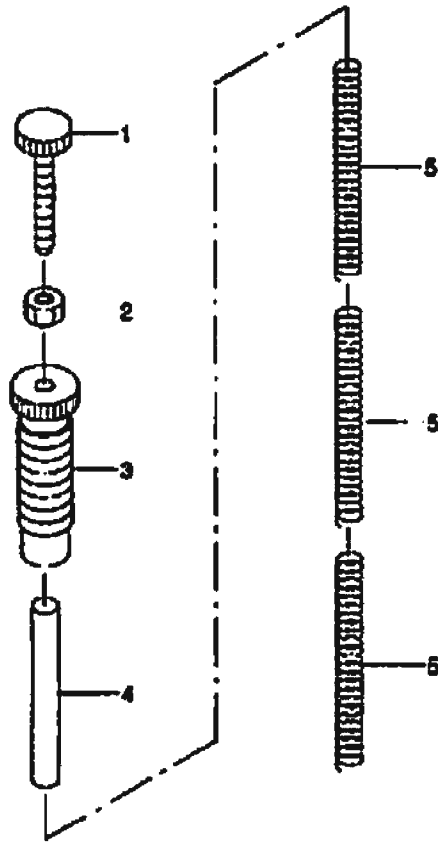
糸立て装置関係



| REF. NO. | NOTE | PART NO.      | DESCRIPTION               | 品名              | QTY |
|----------|------|---------------|---------------------------|-----------------|-----|
| 1        |      | 229-30358     | THREAD STAND ASM.         | 糸立て装置(組)        | 1   |
| 2        |      | 229-31109     | SPOOL RETAINER            | 糸巻留め            | (2) |
| 3        |      | 229-31000     | SPOOL PIN                 | 糸巻針             | (2) |
| 4        |      | 229-30903     | SPOOL REST CUSHION        | 糸巻留めクッション       | (2) |
| 5        |      | 229-30804     | SPOOL REST                | 糸巻留め            | (2) |
| 6        |      | SM-6061610-SC | SCREW M6 L-16             | ビス M6 L-16      | (2) |
| 7        |      | 229-30706     | THREAD GUIDE ARM JOINT    | 糸立てアームジョイント     | (2) |
| 8        |      | 229-31408     | SPOOL REST ROD RUBBER CAP | 糸巻留め棒ゴムキャップ     | (1) |
| 9        |      | 229-30507     | SPOOL REST ARM            | 糸巻留めアーム         | (2) |
| 10       |      | 229-30408     | SPOOL REST ROD, UPPER     | 糸巻留め棒(上)        | (1) |
| 11       |      | 229-31307     | SPOOL REST ROD JOINT      | 糸巻留め棒ジョイント      | (1) |
| 12       |      | SM-4051405-SE | SCREW M5 L-14             | ビス M5 L-14      | (2) |
| 13       |      | NK-6060001-SE | NUT M5                    | ナット M5          | (2) |
| 14       |      | 229-30909     | SPOOL REST ROD, LOWER     | 糸巻留め棒(下)        | (1) |
| 15       |      | 229-31208     | THREAD GUIDE              | 糸立て             | (2) |
| 16       |      | NS-0516002-KH | SPRING WASHER             | スプリングワッシャー      | (2) |
| 17       |      | NK-6060001-SE | NUT M5                    | ナット M5          | (2) |
| 18       |      | NK-6160511-SR | NUT M16X1.5               | ナット M16X1.5 192 | (1) |
| 19       |      | NP-1702800-60 | WASHER 17X30X2.6          | ワッシャー 17X30X2.6 | (2) |
| 20       |      | 269-10059     | THREAD GUIDE ARM ASM.     | 糸立てアーム(組)       | 1   |
| 21       |      | 131-67803     | THREAD GUIDE ARM          | 糸立てアーム          | (1) |
| 22       |      | 131-68000     | THREAD GUIDE BASE, LOWER  | 糸立てアーム台(下)      | (1) |
| 23       |      | 131-68109     | THREAD GUIDE ARM          | 糸立てアーム          | (1) |
| 24       |      | 131-68208     | THREAD GUIDE ARM BASE     | 糸立てアーム台         | (1) |
| 25       |      | SM-4041001-SC | NUT M4X0.7                | ナット M4X0.7 292  | (2) |
| 26       |      | NK-8040002-SK | SCREW M4 L-12             | ビス M4 L-12      | (2) |
| 27       |      | SM-4041201-SC | SCREW M4 X 20             | ビス M4X0.7 L=20  | (1) |
| 28       |      | SM-4042001-SC | NUT M4X0.7                | ナット M4X0.7 292  | (1) |
| 29       |      | NK-6040002-SE | NUT M4X0.7                | ナット M4X0.7 292  | (2) |

22. OPTIONAL PARTS (ADDITIONAL SPRING FOR PRESSER BAR) COMPONENTS

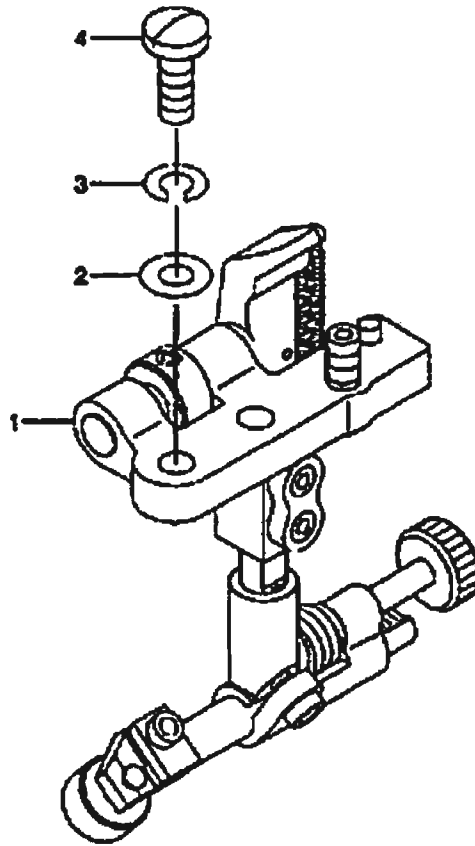
オプション部品 (二重コイルばね) 図係



| REF. NO. | QTY | PART NO.      | DESCRIPTION     | 品名             | Qty |
|----------|-----|---------------|-----------------|----------------|-----|
| 1        |     | 210-06607     | ADJUST SCREW B  | 調整ねじ B         | 1   |
| 2        |     | NS-6110630-SP | NUT 11/64-40    | ワッシャー 11/64-40 | 1   |
| 3        |     | 210-06408     | ADJUST SCREW A  | 調整ねじ A         | 1   |
| 4        |     | 213-42407     | GUIDE SHAFT     | ガイドシャフト        | 1   |
| 5        |     | 210-06002     | ADJUST SPRING B | 調整ばね B         | 3   |

23. SUSPENSION SQUARE (OPTION) COMPONENTS

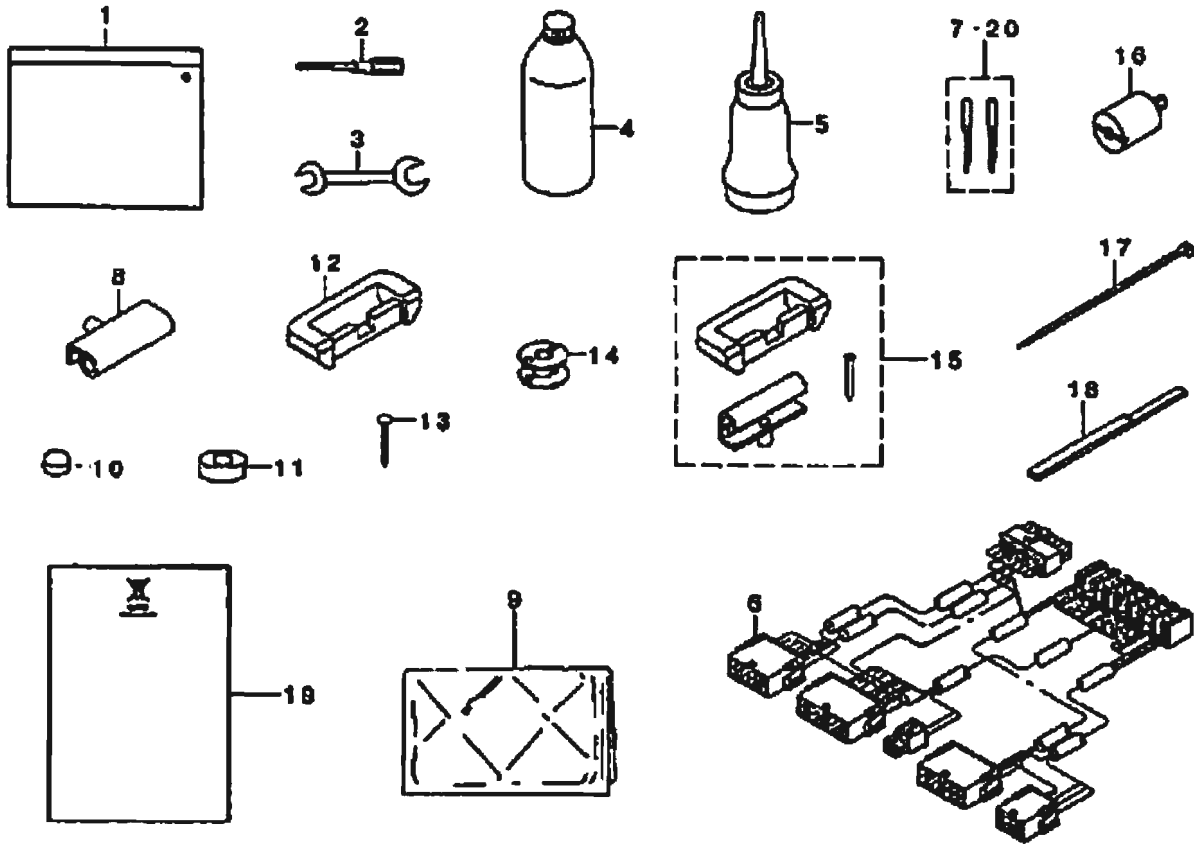
吊り定規 (オプション) 図解



| KEY NO. | NOTE | PART NO.      | DESCRIPTION                | UNIT              | QTY. |
|---------|------|---------------|----------------------------|-------------------|------|
| 1       |      | RAH-152010AO  | RULER                      | 797*394* (92)     | 1    |
| 2       |      | WP-0621016-SD | WASHER 6.2X13X1            | ヒラシ ガ 6.2X13X1    | 2    |
| 3       |      | WS-0610002-KM | SPRING WASHER 6.1X12.2X1.5 | ハネシ ガ 6           | 2    |
| 4       |      | SS-71G1610-SP | SCREW 15/64-28 L=16        | ナット 15/64-28 L=16 | 2    |

24. ACCESSORIES PARTS COMPONENTS

付属品図集



| REF. NO. | NOTE | PART NO.      | DESCRIPTION               | 数量                    | Qty. |
|----------|------|---------------|---------------------------|-----------------------|------|
| 1        |      | 214-13168     | ACCESSORY BAG ASM.        | 77 97777 (77)         | 1    |
| 2        |      | 229-33006     | SCREW DRIVER, LARGE       | ドライバ (大)              | 1    |
| 3        |      | B9113-012-000 | WRENCH (9X10)             | ワゴン (9x10)            | 1    |
| 4        |      | NDP-2K2704CO  | NEW DEPIX OIL NO.2(700CC) | ディピックスオイル No.2(700CC) | 1    |
| 5        |      | J1087-000-000 | OILER                     | オイルヤ                  | 1    |
| 6        |      | 400-24864     | RELAY CORD E ASM.         | リレーコード E (77)         | 1    |
| 7        |      | KC-3720016-02 | NEEDLE SY3355 #160-2      | SY3355 #160-2         | 1    |
| 8        | 02   | 229-20356     | HINGE COMPL.              | ヒンジコンプレット             | 2    |
| 9        | +    | 229-33303     | VINYL COVER               | ビニールカバー               | 1    |
| 10       |      | B8206-012-000 | FELT CUSHION              | フェルトクッション             | 4    |
| 11       |      | B8209-012-000 | RUBBER CUSHION            | ゴムクッション               | 4    |
| 12       | 02   | 229-26000     | RUBBER CUSHION            | ゴムクッション               | 2    |
| 13       | 02   | B8210-012-000 | CUSHION SET NAIL          | クッションセットネール (20個)     | 8    |
| 14       | 02   | 213-34800     | ALUMINUM BOBBIN WITH KURL | アルミニウムボビン (ローレット付)    | 1    |
| 15       | 01   | 214-13257     | RUBBER HINGE ASM.         | ゴムヒンジ (77)            | 1    |
| 16       |      | B8404-352-000 | BELT COVER SUPPORT STRIP  | ベルトカバー支持条             | 2    |
| 17       |      | EA-9500801-00 | CABLE BAND                | ケーブルバンド               | 3    |
| 18       |      | 213-80307     | FIXING KNIFE GAUGE        | 固定ナイフゲージ              | 1    |
| 19       |      | CN-6001002-01 | WEEK INFORMATION SHEET    | WEEK インフォメーションシート     | 1    |
| 20       | +03  | KC-3720010-02 | SY3355 #100-2             | SY3355 #100-2         | 1    |













NOTE (注)

- 01...HEAD ONLY,  
HEAD AND MOTOR DELIVERY ONLY
- 02...COMPLETE SET DELIVERY ONLY
- 03...FOR LU-1610HA-7

- 頭部のみ,  
頭部とモーター出荷のみ
- コンパセット出荷のみ
- LU-1610HA-7用

25. OPTIONAL PARTS COMPONENTS (1)

オプション部品 (1)

| Item                 | Walking foot   |               | Item  | Presser foot  |               |               |               |
|----------------------|--|---------------|---|---|---------------|---------------|---------------|
|                      | 品名   | 写真            |   | 品名  | 写真            |               |               |
| For piping<br>パイピング用 | <br>(Commonly used for every size of presser foot) (19/22R) |               |                          |    |               |               |               |
|                      | Ref. No.   | Part No.      |   | Size(mm)  | Ref. No.      | Part No.      |               |
|                      | 1  | B1478-245-000 |   | 4.4mm(5/32)   | 12            | B1530-245-0AC |               |
|                      |  |               |   | 4.8mm(3/16)   | 13            | B1530-245-0AD |               |
|                      |  |               |   | 6.4mm(1/4)  | 14            | B1530-245-0AF |               |
|                      |  |               |   | 7.0mm(5/16)   | 18            | B1530-245-0AH |               |
|                      |  | 9.5mm(3/8)    | 18  | B1530-245-0AK   |               |               |               |
| For piping<br>パイピング用 |   |               |                          |    |               |               |               |
|                      | Size(mm)   | Ref. No.      |   | Part No.  | Size(mm)      | Ref. No.      | Part No.      |
|                      | 4.4mm(5/32)  | 2             |   | B1478-245-000   | 4.4mm(5/32)   | 17            | B1531-245-0AC |
|                      | 4.8mm(3/16)  | 3             |   | B1479-245-000   | 4.8mm(3/16)   | 18            | B1531-245-0AD |
|                      | 6.4mm(1/4)   | 4             |   | B1479-245-00F   | 6.4mm(1/4)    | 19            | B1531-245-0AF |
|                      | 7.0mm(5/16)  | 6             |   | B1479-245-00H   | 7.0mm(5/16)   | 20            | B1531-245-0AH |
| 9.5mm(3/8)           |  |               | 9.5mm(3/8)  |   |               |               |               |
| For piping<br>パイピング用 |   |               |                        |  |               |               |               |
|                      | Size(mm)   | Ref. No.      |   | Part No.  | Size(mm)      | Ref. No.      | Part No.      |
|                      | 4.4mm(5/32)  | 6             |   | B1474-245-00C   | 4.4mm(5/32)   | 21            | B1527-245-0AC |
|                      | 4.8mm(3/16)  | 7             |   | B1474-245-00D   | 4.8mm(3/16)   | 22            | B1527-245-0AD |
|                      | 6.4mm(1/4)   | 8             |   | B1474-245-00F   | 6.4mm(1/4)    | 23            | B1527-245-0AF |
|                      | 7.0mm(5/16)  | 9             |   | B1474-245-00H   | 7.0mm(5/16)   | 24            | B1527-245-0AH |
| 9.5mm(3/8)           | 10   | B1474-245-00K | 9.5mm(3/8)  | 25  | B1527-245-0AK |               |               |
| For piping<br>パイピング用 | <br>(With teeth) (RHS)                                    |               | <br>(With teeth) (RHS) |  |               |               |               |
|                      | Ref. No.   | Part No.      |   | Ref. No.  | Part No.      |               |               |
|                      | 11   | 109-88309     | 26  | B1525-508-8AO   |               |               |               |

| REF. NO. | NOTE | PART NO.      | DESCRIPTION                    | QTY | UNIT             |
|----------|------|---------------|--------------------------------|-----|------------------|
| 1        |      | B1478-245-000 | INNER PRESSER                  | 1   | +                |
| 2        |      | B1478-245-000 | INNER PRESSER                  | 1   | +                |
| 3        |      | B1479-245-00D | CENTER PRESSER FOOT 3/16       | 1   | +                |
| 4        |      | B1479-245-00F | BACK CUT INNER PRESSER 1/4     | 1   | +                |
| 5        |      | B1479-245-00H | BACK CUT INNER PRESSER 5/16    | 1   | +                |
| 6        |      | B1474-245-00C | INNER PRESSER 5/32             | 1   | +                |
| 7        |      | B1474-245-00B | INNER PRESSER (BLADE) 3/16     | 1   | +                |
| 8        |      | B1474-245-00F | WALKING FOOT, 7                | 1   | +                |
| 9        |      | B1474-245-00H | INNER PRESSER 5/16             | 1   | +                |
| 10       |      | B1474-245-00K | CENTER PRESSER FOOT 3/8        | 1   | +                |
| 11       |      | 103-3A308     | UPPER FEED FOOT                | 1   | 9927777          |
| 12       |      | B1530-245-0AC | OUTER PRESSER ASM. 5/32        | 1   | 71292(5/32) (92) |
| 13       |      | B1530-245-0AD | OUTER PRESSER FOOT ASM., 3/16. | 1   | 71292(3/16) (92) |
| 14       |      | B1530-245-0AF | OUTER PRESSER FOOT 1/4 ASM.    | 1   | 71292(1/4) (92)  |
| 15       |      | B1530-245-0AH | OUTER PRESSER FOOT ASM. (5/16) | 1   | 71292(5/16) (92) |
| 16       |      | B1530-245-0AK | OUTER PRESSER FOOT ASM. (3/8)  | 1   | 71292(3/8) (92)  |
| 17       |      | B1531-245-0AC | OUTER PRESSER ASM. 5/32        | 1   | +                |
| 18       |      | B1531-245-0AD | OUTER PRESSER FOOT ASM. 3/16   | 1   | +                |
| 19       |      | B1531-245-0AF | OUTER PRESSER ASM., 1/4        | 1   | +                |
| 20       |      | B1531-245-0AH | FEEDING FRAME 5/16 ASM.        | 1   | +                |
| 21       |      | B1527-245-0AC | OUTER PRESSER FOOT ASM. 5/32   | 1   | +                |
| 22       |      | B1527-245-0AD | FEEDING FRAME 3/16 ASM.        | 1   | +                |
| 23       |      | B1527-245-0AF | OUTER PRESSER ASM., 1/4        | 1   | +                |
| 24       |      | B1527-245-0AH | OUTER PRESSER FOOT ASM. 5/16   | 1   | +                |
| 25       |      | B1527-245-0AK | OUTER PRESSER FOOT ASM. 3/8    | 1   | +                |
| 26       |      | B1525-563-SAD | PRESSER FOOT ASM.              | 1   | +                |

26. OPTIONAL PARTS COMPONENTS (2)  
オプション部品 (2)


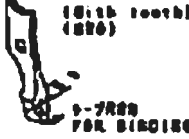
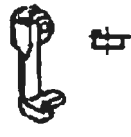






| Item     | Walking foot           | Presser foot | Item   | Walking foot  | Presser foot  |      |                        |     |        |  |  |          |   |          |              |
|----------|------------------------|--------------|--|---------------|---------------|------|------------------------|-----|--------|--|--|----------|---|----------|--------------|
| A S      | → R                    | → R          | A S  | → R           | → R           |      |                        |     |        |  |  |          |   |          |              |
|          |                        |              |  |               |               |      |                        |     |        |  |  |          |   |          |              |
| Ref. No. | 1                      | 6            | Ref. No.   | 10            | 10            |      |                        |     |        |  |  |          |   |          |              |
| Part No. | NA9-09307000           | NA9-093030A0 | Part No.   | B1470-245-000 | B1824-245-0A0 |      |                        |     |        |  |  |          |   |          |              |
|          |                        |              | <table border="1"> <thead> <tr> <th>Item</th> <th>Feed driving eccentric</th> </tr> <tr> <th>A S</th> <th>△TR124</th> </tr> </thead> <tbody> <tr> <td></td> <td></td> </tr> <tr> <td>Ref. No.</td> <td>2</td> </tr> <tr> <td>Part No.</td> <td>NA9-10452000</td> </tr> </tbody> </table> |               |               | Item | Feed driving eccentric | A S | △TR124 |  |  | Ref. No. | 2 | Part No. | NA9-10452000 |
| Item     | Feed driving eccentric |              |  |               |               |      |                        |     |        |  |  |          |   |          |              |
| A S      | △TR124                 |              |  |               |               |      |                        |     |        |  |  |          |   |          |              |
|          |                        |              |  |               |               |      |                        |     |        |  |  |          |   |          |              |
| Ref. No. | 2                      |              |  |               |               |      |                        |     |        |  |  |          |   |          |              |
| Part No. | NA9-10452000           |              |  |               |               |      |                        |     |        |  |  |          |   |          |              |
| Ref. No. | 2                      |              |  |               |               |      |                        |     |        |  |  |          |   |          |              |
| Part No. | NA9-10452000           |              | Ref. No.   | 3             | 7             |      |                        |     |        |  |  |          |   |          |              |
|          |                        |              | Part No.   | D1475-245-00A | B1228-245-0AA |      |                        |     |        |  |  |          |   |          |              |
|          |                        |              |  |               |               |      |                        |     |        |  |  |          |   |          |              |
| Ref. No. | 4                      | 8            | Ref. No.   | 4             | 8             |      |                        |     |        |  |  |          |   |          |              |
| Part No. | 103-26306              | 103-26157    | Part No.   | 103-26306     | 103-26157     |      |                        |     |        |  |  |          |   |          |              |
|          |                        |              |  |               |               |      |                        |     |        |  |  |          |   |          |              |
| Ref. No. | 5                      | 9            | Ref. No.   | 5             | 9             |      |                        |     |        |  |  |          |   |          |              |
| Part No. | 103-26205              | 103-26304    | Part No.   | 103-26205     | 103-26304     |      |                        |     |        |  |  |          |   |          |              |



| REF. NO. | PART NO.      | DESCRIPTION                    | Q.T.Y.              | QTY. |
|----------|---------------|--------------------------------|---------------------|------|
| 1        | NA9-09307000  | WALKING FOOT                   | 0929773             | 1    |
| 2        | NA9-10452000  | UPPER FEED FOOT                | 0229179             | 1    |
| 3        | B1475-245-00A | INNER PRESSER                  | 22292               | 1    |
| 4        | 103-26306     | WALKING FOOT                   | 0929179             | 1    |
| 5        | 103-26205     | UPPER FEED FOOT                | 0229179(MANLY)      | 1    |
| 6        | NA9-093030A0  | PRESSER FOOT ASM.              | 29273 (92)          | 1    |
| 7        | B1629-245-0AA | OUTER PRESSER FOOT ASM., RIGHT | 71292(26' 9970)(92) | 1    |
| 8        | 103-26157     | PRESSER FOOT ASM.              | 29273(92)           | 1    |
| 9        | 103-26304     | PRESSER FOOT                   | 29273(MANLY)        | 1    |
| 10       | B1470-245-000 | WALKING FOOT                   | 0929179             | 1    |
| 11       | B1624-245-0A0 | PRESSER FOOT ASM.              | 29273 92            | 1    |
| 12       | B1840-001-000 | FEED DRIVING ECCENTRIC         | 2' 3'-2' 2998A      | 1    |
| 13       | 213-78104     | FEED DRIVING ECCENTRIC         | 2' 997 2998A        | 1    |





26. OPTIONAL PARTS COMPONENTS (2)

オプション部品 (2)

| Item     | Walking foot  | Presser foot  |
|----------|---|---|
| 品名       | 歩行足   | 押足  |
|          |    |    |
| Ref. No. | 1   | 6   |
| Part No. | BAQ-09307000  | BAQ-09308000  |
|          |    |   |
| Ref. No. | 2   |   |
| Part No. | GAN-10452000  |   |
|          |   |   |
| Ref. No. | 3   | 7   |
| Part No. | B1476-245-00A   | B1528-245-00A   |
|          |  |  |
| Ref. No. | 4   | 8   |
| Part No. | 103-26306   | 103-26157   |
|          |  |  |
| Ref. No. | 5   | 9   |
| Part No. | 103-26205   | 103-26304   |

| Item     | Walking foot  | Presser foot  |
|----------|---|---|
| 品名       | 歩行足   | 押足  |
|          |  |  |
| Ref. No. | 10  | 11  |
| Part No. | B1470-245-000   | B1524-245-000   |

| Item     | Feed driving eccentric  |   |
|----------|---|---|
| 品名       | 送り駆動偏心  |   |
|          |  |  |
| Ref. No. | 12  | 13  |
| Part No. | B1840-081-000   | Z13-70104   |

| QTY. | NO. | QTY. | PART NO.      | DESCRIPTION                    | U. S. S.            | QTY. |
|------|-----|------|---------------|--------------------------------|---------------------|------|
| 1    |     |      | MAQ-09307000  | WALKING FOOT                   | 99299 73            | 1    |
| 2    |     |      | MAN-10452000  | UPPER FEED FOOT                | 9229973             | 1    |
| 3    |     |      | B1476-245-00A | INNER PRESSER                  | 73292               | 1    |
| 4    |     |      | 103-25306     | WALKING FOOT                   | 9929973             | 1    |
| 5    |     |      | 103-26205     | UPPER FEED FOOT                | 9229973(B&H&H)      | 1    |
| 6    |     |      | MAQ-093080A0  | PRESSER FOOT ASM.              | 29273 (92)          | 1    |
| 7    |     |      | B1629-245-0AA | OUTER PRESSER FOOT ASM., RIGHT | 71292(24' 2973)(92) | 1    |
| 8    |     |      | 103-25167     | PRESSER FOOT ASM.              | 29273(92)           | 1    |
| 9    |     |      | 103-26304     | PRESSER FOOT                   | 29273(B&H&H)        | 1    |
| 10   |     |      | B1470-245-000 | WALKING FOOT                   | 9929973             | 1    |
| 11   |     |      | B1624-245-0A0 | PRESSER FOOT ASM.              | 29273 92            | 1    |
| 12   |     |      | B1840-061-000 | FEED DRIVING ECCENTRIC         | 7 3-7 2992A         | 1    |
| 13   |     |      | 213-78104     | FEED DRIVING ECCENTRIC         | 7 297 2992A         | 1    |

27. LIST FOR INFORMATION OF CHANGE

変更情報リスト

As to the place changed, refer to the corresponding Rev.No.  
 When previous parts (Obsolated part) and new parts (Added parts) are not interchangeable with each other:  
 In this case, even obsolated parts (D.) can be ordered with the obsolated part number, so select the parts with changed dates and place your orders.

変更箇所は、必ずRev.No. 様をご参照ください。  
 部品との互換性がない変更の場合、廃止された品番でも、ご注文できます。

28358106

No. 1338-04 Rev.No.

\*A: Added parts 追加部品 / D: Obsolated parts 廃止部品 / E: Erratum 訂正

| Rev. No. | Page No. | Ref. No. | Parts No.<br>品番 | Rev. No. | Page No. | Ref. No. | Parts No.<br>品番 |
|----------|----------|----------|-----------------|----------|----------|----------|-----------------|
|          |          |          |                 | A 04     | 2        | 81       | 213-48909       |
|          |          |          |                 | A 04     | 2        | 82       | 213-32002       |
|          |          |          |                 | A 04     | 2        | 83       | SS-4110815-SP   |
|          |          |          |                 | A 04     | 2        | 84       | 214-37108       |
|          |          |          |                 | A 04     | 2        | 85       | 214-37306       |
|          |          |          |                 | A 04     | 2        | 86       | SS-4110815-5P   |
|          |          |          |                 | A 04     | 2        | 87       | 400-41238       |
| D 03     | 4        | 23       | 226-04804       | A 04     | 4        | 23       | 400-38892       |
| D 03     | 4        | 40       | SS-8860610-TP   | A 04     | 4        | 40       | SS-8860612-TP   |
| D 03     | 4        | 50       | 400-16148       | A 04     | 4        | 50       | 400-38700       |
| D 03     | 4        | 51       | 400-16148       | A 04     | 4        | 51       | 400-38702       |
|          |          |          |                 | A 04     | 4        | 67       | 400-41734       |
|          |          |          |                 | A 04     | 4        | 68       | 226-05406       |
|          |          |          |                 | A 04     | 4        | 69       | B1408-061-000   |
|          |          |          |                 | A 04     | 4        | 70       | 213-82606       |
|          |          |          |                 | A 04     | 5        | 33       | MC-3720010-00   |
| D 03     | 8        | 4        | 213-41904       | A 04     | 8        | 4        | 400-39328       |
| D 03     | 8        | 31       | 400-24852       |          |          |          |                 |
| D 03     | 8        | 32       | SL-4040881-SC   |          |          |          |                 |
| D 03     | 8        | 33       | SS-8150710-SP   |          |          |          |                 |
| D 03     | 8        | 34       | D1470-241-E0A   |          |          |          |                 |
| D 03     | 8        | 35       | EA-8500801-00   |          |          |          |                 |
| D 03     | 8        | 51       | B1470-053-0A0   |          |          |          |                 |
| D 03     | 8        | 53       | SN-8050602-TP   |          |          |          |                 |
| D 03     | 8        | 54       | 213-50152       |          |          |          |                 |
| D 03     | 8        | 55       | 213-50103       |          |          |          |                 |
| D 03     | 8        | 56       | 103-37905       |          |          |          |                 |
|          |          |          |                 | A 04     | B        | 56       | B1610-141-H00   |
| D 03     | 8        | 67       | 107-74354       |          |          |          |                 |
| D 03     | 8        | 58       | 107-74305       |          |          |          |                 |
| D 03     | 8        | 59       | 107-74404       |          |          |          |                 |
| D 03     | 8        | 60       | 107-15100       |          |          |          |                 |
| D 03     | 8        | 61       | 107-15001       |          |          |          |                 |
| D 03     | 8        | 62       | 107-15704       |          |          |          |                 |
| D 03     | 8        | 83       | 81626-527-00G   |          |          |          |                 |
| D 03     | 8        | 64       | SS-8110630-TP   |          |          |          |                 |

|   | Rev. No. | Page No. | Ref. No. | Parts No. A   | Parts No. B |  | Rev. No. | Page No. | Ref. No. | Parts No. A | Parts No. B   |
|---|----------|----------|----------|---------------|-------------|--|----------|----------|----------|-------------|---------------|
| D | 03       | 8        | 65       | 213-41607     |             |  |          |          |          |             |               |
| D | 03       | 8        | 66       | 107-16308     |             |  |          |          |          |             |               |
| D | 03       | 8        | 67       | SM-6051402-TP |             |  |          |          |          |             |               |
| D | 03       | 8        | 68       | 213-41508     |             |  |          |          |          |             |               |
| D | 03       | 8        | 69       | 107-18203     |             |  |          |          |          |             |               |
| D | 03       | 8        | 70       | 107-14202     |             |  |          |          |          |             |               |
| D | 03       | 8        | 71       | 213-39801     |             |  |          |          |          |             |               |
| D | 03       | 8        | 72       | SM-1050801-SR |             |  |          |          |          |             |               |
| D | 03       | 8        | 73       | 213-39700     |             |  |          |          |          |             |               |
| D | 03       | 8        | 74       | SS-7111120-TP |             |  |          |          |          |             |               |
| D | 03       | 8        | 75       | 107-13501     |             |  |          |          |          |             |               |
| D | 03       | 8        | 76       | 107-16504     |             |  |          |          |          |             |               |
| D | 03       | 8        | 77       | B3416-552-000 |             |  |          |          |          |             |               |
| D | 03       | 8        | 78       | RE-0500000-KO |             |  |          |          |          |             |               |
| D | 03       | 8        | 79       | 213-39809     |             |  |          |          |          |             |               |
| D | 03       | 8        | 80       | SS-7110830-SP |             |  |          |          |          |             |               |
| D | 03       | 8        | 84       | 107-14609     |             |  |          |          |          |             |               |
| D | 03       | 8        | 85       | 107-14608     |             |  |          |          |          |             |               |
| D | 03       | 8        | 86       | SM-8050602-TP |             |  |          |          |          |             |               |
| D | 03       | 8        | 92       | 213-37803     |             |  |          |          |          |             |               |
|   |          |          |          |               |             |  | A        | 04       | 10       | ALL PARTS-4 | 8             |
|   |          |          |          |               |             |  | A        | 04       | 12       | 42          | 400-36712     |
|   |          |          |          |               |             |  | A        | 04       | 12       | 68          | SS-7110710-SP |
|   |          |          |          |               |             |  | A        | 04       | 12       | 70          | SS-7090910-TP |
|   |          |          |          |               |             |  | A        | 04       | 12       | 71          | 400-49803     |
|   |          |          |          |               |             |  | A        | 04       | 12       | 72          | 214-07200     |
|   |          |          |          |               |             |  | A        | 04       | 12       | 73          | 400-38711     |
|   |          |          |          |               |             |  | A        | 04       | 12       | 74          | 214-07408     |
|   |          |          |          |               |             |  | A        | 04       | 12       | 75          | SS-7110910-TP |
|   |          |          |          |               |             |  | A        | 04       | 12       | 78          | 214-07309     |
|   |          |          |          |               |             |  | A        | 04       | 12       | 80          | 400-41248     |
|   |          |          |          |               |             |  | A        | 04       | 12       | 81          | 400-51616     |
|   |          |          |          |               |             |  | A        | 04       | 12       | 82          | 400-51616     |
|   |          |          |          |               |             |  | A        | 04       | 14       | 53          | 230-24409     |
|   |          |          |          |               |             |  | A        | 04       | 14       | 54          | SS-8150710-TP |
|   |          |          |          |               |             |  | A        | 04       | 14       | 55          | 213-34552     |
|   |          |          |          |               |             |  | A        | 04       | 20       | ALL PARTS-4 | 8             |
|   |          |          |          |               |             |  | A        | 04       | 24       | ALL PARTS-4 | 8             |
|   |          |          |          |               |             |  | A        | 04       | 28       | ALL PARTS-4 | 8             |
| D | 03       | 26       | 9        | 105-29806     |             |  | A        | 04       | 34       | 9           | 229-33303     |
|   |          |          |          |               |             |  | A        | 04       | 34       | 20          | MC-3720010-02 |



NUMERICAL INDEX OF PARTS

索引

| PART NO<br>SP | PAGE<br>R | REF<br>NO | PART NO<br>SP | PAGE<br>R | REF<br>NO | PART NO<br>SP | PAGE<br>R | REF<br>NO | PART NO<br>SP | PAGE<br>R | REF<br>NO |
|---------------|-----------|-----------|---------------|-----------|-----------|---------------|-----------|-----------|---------------|-----------|-----------|
| SD-0840482-SU | 16        | 40        | SS-4110816-SP | 2         | 57        | SS-7110910-TP | 18        | 2         | WP-0650876-SD | 12        | 58        |
| SD-0729331-SP | 22        | 5         | SS-4110816-SP | 2         | 58        | SS-7110910-TP | 10        | 12        | WP-0350002-SP | 14        | 19        |
| SD-0803352-SP | 17        | 11        | SS-4110815-SP | 2         | 58        | SS-7110910-TP | 20        | 22        | WP-1702500-SO | 31        | 19        |
| SD-0809402-TP | 12        | 34        | SS-4110815-SP | 4         | 17        | SS-7111120-SP | 16        | 16        | WS-0510002-XH | 31        | 16        |
| SD-0800402-TP | 17        | 9         | SS-4110815-SP | 28        | 47        | SS-7111120-TP | 10        | 2A        | WS-0810002-XH | 33        | 3         |
| SD-0800481-SP | 8         | 40        | SS-4110815-SP | 28        | 42        | SS-7111410-SP | 12        | 11        | WS-0510002-XP | 16        | 54        |
| SD-0900701-TP | 12        | 21        | SS-4110815-SP | 30        | 12        | SS-7111410-SP | 30        | 34        | WT-0530002-KS | 2         | 18        |
| SD-1000801-SH | 12        | 55        | SS-4111215-SP | 2         | 2         | SS-7111810-SP | 17        | 19        |               |           |           |
| SK-3241501-SC | 29        | 13        | SS-4125615-SP | 17        | 15        | SS-7111810-TP | 14        | 8         | 101-07302     | 12        | 3         |
| SK-3415001-SE | 23        | 12        | SS-4150915-SP | 2         | 60        | SS-7111810-TP | 16        | 51        | 101-09700     | 14        | 45        |
| SK-3415001-SE | 23        | 13        | SS-4150915-SP | 28        | 35        | SS-7120760-SP | 4         | 54        | 101-09800     | 14        | 46        |
| SK-3415001-SE | 24        | 12        | SS-4150915-SP | 28        | 37        | SS-7120760-SP | 17        | 15        | 101-09900     | 14        | 16        |
| SK-3415001-SE | 24        | 13        | SS-4150915-SP | 28        | 30        | SS-7120760-SP | 2C        | 31        | 101-10900     | 14        | 47        |
| SK-3482500-SC | 29        | 16        | SS-4150915-SP | 28        | 32        | SS-7120760-SP | 2A        | 28        | 101-11003     | 14        | 48        |
| SK-3482501-SC | 23        | 20        | SS-5090610-SP | 2         | 21        | SS-7160740-SP | 8         | 46        | 101-11102     | 14        | 13        |
| SK-3482501-SE | 24        | 33        | SS-5110740-TP | 29        | 4         | SS-7160010-TP | 2         | 19        | 101-11201     | 14        | 49        |
| SK-3514000-SC | 30        | 36        | SS-6090620-SP | 21        | 16        | SS-7151210-SP | 17        | 7         | 101-12407     | 14        | 17        |
| SL-4030631-SC | 30        | 27        | SS-6090620-SP | 21        | 22        | SS-7151810-SP | 39        | 4         | 101-12506     | 14        | 50        |
| SL-4040631-SC | 10        | 2         | SS-6090610-SP | 14        | 12        | SS-7821040-SP | 2         | 7         | 101-12605     | 14        | 51        |
| SM-1050801-SR | 10        | 26        | SS-6091022-TP | 6         | 46        | SS-8110422-TP | 14        | 30        | 101-12704     | 14        | 41        |
| SM-2041001-SH | 28        | 48        | SS-6091022-TP | 6         | 19        | SS-8110422-TP | 16        | 14        | 101-15504     | 16        | 21        |
| SM-3031401-SR | 29        | 9         | SS-6110430-SP | 25        | 40        | SS-8110510-SP | 16        | 19        | 101-29004     | 17        | 17        |
| SM-4041001-SC | 31        | 25        | SS-6110480-SP | 28        | 35        | SS-8110510-SP | 18        | 29        | 101-24204     | 19        | 19        |
| SM-4041201-SC | 31        | 27        | SS-6110520-TP | 12        | 56        | SS-8111010-TP | 4         | 43        | 101-24204     | 20        | 13        |
| SM-4042001-SC | 31        | 28        | SS-6110630-TP | 10        | 18        | SS-8160510-TP | 14        | 34        | 101-25803     | 25        | 69        |
| SM-4051405-SE | 31        | 12        | SS-6110710-SP | 10        | 42        | SS-8160710-TP | 10        | 3         | 101-25803     | 28        | 48        |
| SM-4051001-SD | 24        | 20        | SS-6110710-TP | 16        | 46        | SS-8160710-TP | 4         | 64        | 102-01200     | 3         | 53        |
| SM-6021000-TP | 28        | 28        | SS-6110810-TP | 21        | 18        | SS-8160710-TP | 8         | 9         | 102-05201     | 12        | 20        |
| SM-6030802-TP | 16        | 2         | SS-6111010-SP | 28        | 28        | SS-8160710-TP | 14        | 54        | 103-20109     | 19        | 3         |
| SM-6040800-TP | 21        | 31        | SS-6111010-SP | 28        | 29        | SS-8160822-TP | 4         | 7         | 103-20109     | 20        | 3         |
| SM-6040802-TP | 16        | 44        | SS-6111140-SP | 2         | 14        | SS-8160822-TP | 4         | 14        | 103-20203     | 20        | 6         |
| SM-6041202-TP | 16        | 10        | SS-6111140-SP | 2         | 13        | SS-8160822-TP | 4         | 59        | 103-21107     | 19        | 25        |
| SM-6044002-TP | 20        | 3         | SS-6111140-SP | 16        | 34        | SS-8160822-TP | 12        | 28        | 103-21107     | 20        | 25        |
| SM-6051002-TP | 22        | 8         | SS-6111210-SP | 4         | 63        | SS-8161150-SP | 14        | 40        | 103-25157     | 38        | 8         |
| SM-6051402-TP | 10        | 21        | SS-6111810-SP | 12        | 37        | SS-8161150-TP | 6         | 5         | 103-25306     | 38        | 4         |
| SM-6052012-TP | 8         | 54        | SS-6111810-SP | 30        | 10        | SS-8151150-TP | 12        | 14        | 103-25205     | 38        | 6         |
| SM-6061202-TP | 2         | 68        | SS-6121210-TP | 12        | 16        | SS-8151150-TP | 14        | 28        | 103-25304     | 38        | 9         |
| SM-6081602-TP | 17        | 2         | SS-6121610-TP | 16        | 38        | SS-8161150-TP | 14        | 32        | 103-37805     | 10        | 10        |
| SM-6081610-SC | 31        | 6         | SS-6121840-SP | 12        | 43        | SS-8660510-TP | 4         | 48        | 103-38309     | 36        | 11        |
| SM-6081802-TP | 12        | 40        | SS-6151040-SP | 10        | 43        | SS-8660610-TP | 14        | 37        | 105-02300     | 21        | 21        |
| SM-6082002-SP | 22        | 2         | SS-6151040-SP | 22        | 14        | SS-8660510-TP | 14        | 43        | 106-00701     | 8         | 23        |
| SM-6082502-TP | 14        | 20        | SS-6151220-SP | 30        | 33        | SS-8660810-TP | 8         | 8         | 106-04809     | 4         | 8         |
| SM-6085002-TP | 12        | 6         | SS-6151440-SP | 29        | 2         | SS-8660810-TP | 12        | 19        | 106-18304     | 21        | 8         |
| SM-6085002-TP | 10        | 7         | SS-6151760-SP | 8         | 27        | SS-8660610-TP | 12        | 64        | 107-04807     | 21        | 10        |
| SM-6085002-TP | 10        | 37        | SS-6151812-TP | 16        | 30        | SS-8660612-TP | 4         | 40        | 107-13501     | 10        | 20        |
| SM-6085002-TP | 21        | 20        | SS-6151920-SP | 8         | 30        | SS-8660612-TP | 8         | 3         | 107-13766     | 8         | 47        |
| SM-6085012-TP | 12        | 52        | SS-6152440-SP | 6         | 29        | SS-8660812-TP | 16        | 36        | 107-13808     | 8         | 49        |
| SM-6086002-TP | 4         | 28        | SS-6153040-SP | 14        | 18        | SS-8660670-SP | 14        | 34        | 107-14202     | 10        | 24        |
| SM-6088002-TP | 6         | 21        | SS-6153040-SP | 29        | 22        | SS-8660810-TP | 4         | 22        | 107-14508     | 10        | 35        |
| SM-6088012-TP | 4         | 15        | SS-6661110-SP | 4         | 24        | SS-8660810-TP | 8         | 48        | 107-14608     | 10        | 38        |
| SM-1110401-KZ | 14        | 41        | SS-7060610-SP | 16        | 8         | SS-8660810-TP | 14        | 39        | 107-15C01     | 10        | 15        |
| SM-1110401-KZ | 25        | 26        | SS-7060810-SP | 18        | 9         | SS-8661030-SP | 4         | 52        | 107-15100     | 10        | 14        |
| SM-1110401-KZ | 26        | 39        | SS-7080510-TP | 6         | 12        | SS-8161440-CP | 12        | 4         | 107-15308     | 10        | 20        |
| SM-1110401-KZ | 28        | 34        | SS-7090520-TP | 2         | 33        |               |           |           | 107-15704     | 10        | 16        |
| SM-1110401-KZ | 28        | 53        | SS-7090610-SP | 12        | 30        | TA-0350004-RO | 2         | 47        | 107-16504     | 10        | 30        |
| SM-1150451-KZ | 26        | 27        | SS-7090910-SP | 6         | 9         | TA-07C0704-RO | 2         | 8         | 107-18203     | 10        | 23        |
| SM-1150451-KZ | 26        | 38        | SS-7090910-TP | 12        | 32        | TA-0750704-RO | 4         | 65        | 107-27204     | 29        | 25        |
| SM-1150451-KZ | 28        | 33        | SS-7090910-TP | 12        | 70        | TA-0760704-RO | 6         | 10        | 107-27303     | 29        | 24        |
| SM-1150451-KZ | 28        | 54        | SS-7091410-SP | 21        | 15        | TA-0800704-RO | 29        | 31        | 107-39209     | 29        | 36        |
| SM-2080710-TP | 2         | 23        | SS-7110510-SP | 8         | 20        | TA-1050604-RO | 2         | 39        | 107-41106     | 19        | 14        |
| SM-2080710-TP | 2         | 29        | SS-7110510-SP | 25        | 11        | TA-1060504-RO | 2         | 40        | 107-41106     | 20        | 14        |
| SM-2080710-TP | 2         | 31        | SS-7110510-SP | 28        | 11        | TA-1260504-RO | 2         | 15        | 107-48101     | 29        | 11        |
| SM-2110920-TP | 2         | 37        | SS-7110570-SP | 18        | 4         |               |           |           | 107-53002     | 29        | 28        |
| SM-3080610-SP | 26        | 17        | SS-7110710-SP | 4         | 56        | TP-0320301-SC | 10        | 3         | 107-55206     | 29        | 16        |
| SM-3080610-SP | 28        | 17        | SS-7110710-SP | 12        | 68        | TP-0320501-SC | 20        | 12        | 107-55254     | 20        | 14        |
| SM-3080710-TP | 19        | 18        | SS-7110830-SP | 6         | 17        | TP-0371018-SD | 14        | 11        | 107-74305     | 10        | 12        |
| SM-4080610-SP | 20        | 15        | SM-7110830-SP | 10        | 34        | TP-0371018-SD | 18        | 5         | 107-74305     | 10        | 39        |
| SM-4110515-SP | 2         | 35        | SM-7110830-SP | 25        | 33        | TP-0430803-SC | 14        | 11        | 107-74354     | 10        | 11        |
| SM-4110615-SP | 26        | 22        | SM-7110830-SP | 28        | 28        | WP-0450801-SD | 4         | 52        | 107-74404     | 10        | 13        |
| SM-4110615-SP | 26        | 42        | SM-7110840-SP | 17        | 29        | WP-0501016-SD | 17        | 30        | 110-45101     | 19        | 15        |
| SM-4110615-SP | 28        | 22        | SM-7110840-SP | 29        | 3         | WP-0501046-SC | 8         | 18        | 110-45101     | 20        | 15        |
| SM-4110615-SP | 28        | 37        | SM-7110840-SP | 30        | 1         | WP-0501046-SC | 18        | 12        | 110-72402     | 19        | 16        |
| SM-4110815-SP | 2         | 5         | SM-7110910-TP | 8         | 16        | WP-C821016-SD | 12        | 5         | 110-72402     | 20        | 18        |
| SM-4110815-SP | 2         | 42        | SM-7110910-TP | 8         | 36        | WP-0521016-SD | 16        | 53        | 110-72402     | 21        | 30        |
| SM-4110815-SP | 2         | 48        | SM-7110910-TP | 12        | 25        | WP-0821016-SD | 39        | 2         | 119-56802     | 19        | 13        |
| SM-4110815-SP | 2         | 51        | SM-7110910-TP | 12        | 76        | WP-0841501-SD | 17        | 3         | 119-56802     | 20        | 12        |



NUMERICAL INDEX OF PARTS

索引

| PART NO<br>品名 | PAGE<br>頁 | REF<br>NO | PART NO<br>品名 | PAGE<br>頁 | REF<br>NO | PART NO<br>品名 | PAGE<br>頁 | REF<br>NO | PART NO<br>品名 | PAGE<br>頁 | REF<br>NO |
|---------------|-----------|-----------|---------------|-----------|-----------|---------------|-----------|-----------|---------------|-----------|-----------|
| 131-67903     | 31        | 21        | 213-60906     | 8         | 37        | 213-54105     | 16        | 31        | 214-38601     | 30        | 9         |
| 131-68000     | 31        | 22        | 213-41161     | 8         | 41        | 213-54204     | 16        | 32        | 214-38700     | 30        | 11        |
| 131-68109     | 31        | 23        | 213-41608     | 10        | 22        | 213-54501     | 16        | 15        | 214-41050     | 19        | 2         |
| 131-68208     | 31        | 24        | 213-41607     | 10        | 19        | 213-54500     | 16        | 42        | 214-41050     | 20        | 2         |
| 137-65607     | 25        | 43        | 213-42407     | 32        | 4         | 213-54700     | 16        | 45        | 214-41058     | 19        | 1         |
| 137-65607     | 28        | 38        | 213-43207     | 2         | 58        | 213-54807     | 16        | 12        | 214-41100     | 20        | 17        |
| 145-12603     | 21        | 17        | 213-45103     | 26        | 34        | 213-55102     | 18        | 41        | 214-41209     | 18        | 7         |
| 179-12108     | 2         | 26        | 213-45103     | 28        | 29        | 213-55706     | 21        | 24        | 214-41308     | 18        | 8         |
|               |           |           | 213-45203     | 26        | 30        | 213-55766     | 21        | 23        | 214-41407     | 18        | 1         |
| 210-06002     | 32        | 5         | 213-45202     | 28        | 31        | 213-55806     | 2         | 20        | 214-42603     | 30        | 17        |
| 210-06403     | 32        | 3         | 213-45301     | 29        | 37        | 213-55904     | 2         | 6         | 214-42702     | 30        | 18        |
| 210-06507     | 32        | 1         | 213-45350     | 20        | 23        | 213-56001     | 21        | 6         | 214-42800     | 30        | 20        |
| 210-48707     | 8         | 51        | 213-45509     | 29        | 34        | 213-56308     | 22        | 11        | 214-43007     | 30        | 21        |
| 213-31301     | 2         | 4         | 213-45608     | 26        | 25        | 213-56407     | 22        | 12        | 214-43106     | 30        | 22        |
| 213-31608     | 2         | 18        | 213-45608     | 28        | 52        | 213-56506     | 22        | 3         | 214-43206     | 30        | 23        |
| 213-31905     | 2         | 40        | 213-45607     | 26        | 23        | 213-56704     | 22        | 9         | 214-43509     | 30        | 24        |
| 213-32002     | 2         | 56        | 213-45707     | 28        | 2         | 213-56803     | 22        | 7         | 225-37658     | 21        | 2         |
| 213-32002     | 2         | 62        | 213-45707     | 28        | 2         | 213-57969     | 21        | 3         | 225-38151     | 21        | 4         |
| 213-32101     | 2         | 50        | 213-45756     | 28        | 1         | 213-57957     | 21        | 1         | 225-38706     | 21        | 32        |
| 213-32200     | 2         | 46        | 213-45756     | 28        | 1         | 213-58206     | 21        | 9         | 226-02601     | 2         | 17        |
| 213-32507     | 4         | 13        | 213-45806     | 26        | 3         | 213-63106     | 18        | 3         | 226-04300     | 4         | 25        |
| 213-32809     | 4         | 70        | 213-45806     | 28        | 3         | 213-64104     | 12        | 10        | 226-05406     | 4         | 68        |
| 213-32703     | 4         | 1         | 213-45905     | 26        | 4         | 213-78104     | 14        | 33        | 226-09406     | 12        | 12        |
| 213-33000     | 4         | 2         | 213-45905     | 24        | 4         | 213-78104     | 38        | 13        | 226-11701     | 14        | 27        |
| 213-33101     | 4         | 18        | 213-46002     | 26        | 18        | 213-78203     | 12        | 57        | 226-11909     | 14        | 42        |
| 213-33208     | 4         | 3         | 213-46002     | 28        | 18        | 213-78302     | 8         | 5         | 226-17806     | 19        | 9         |
| 213-33507     | 4         | 30        | 213-46101     | 26        | 29        | 213-78302     | 12        | 13        | 226-17806     | 20        | 0         |
| 213-33504     | 14        | 26        | 213-46101     | 28        | 24        | 213-78401     | 14        | 14        | 226-18201     | 19        | 7         |
| 213-33802     | 4         | 44        | 213-46200     | 26        | 30        | 213-78708     | 21        | 29        | 226-18201     | 20        | 7         |
| 213-33901     | 4         | 40        | 213-46200     | 28        | 25        | 213-78906     | 12        | 54        | 226-19100     | 2         | 52        |
| 213-34562     | 14        | 68        | 213-46300     | 26        | 6         | 213-78903     | 29        | 6         | 226-20301     | 16        | 50        |
| 213-34701     | 14        | 18        | 213-46309     | 28        | 6         | 213-87066     | 14        | 23        | 226-61202     | 2         | 30        |
| 213-34600     | 14        | 24        | 213-46358     | 26        | 6         | 213-87402     | 8         | 7         | 226-56003     | 17        | 14        |
| 213-34800     | 34        | 14        | 213-46358     | 28        | 6         | 213-87402     | 13        | 69        | 226-66103     | 17        | 12        |
| 213-34909     | 14        | 2         | 213-46408     | 26        | 8         | 213-87501     | 4         | 31        | 228-14909     | 6         | 11        |
| 213-35500     | 14        | 6         | 213-46408     | 28        | 8         | 213-87500     | 4         | 34        | 229-01805     | 2         | 16        |
| 213-35701     | 14        | 7         | 213-46507     | 26        | 7         | 213-87709     | 4         | 33        | 229-04106     | 8         | 7         |
| 213-35807     | 14        | 10        | 213-46507     | 28        | 7         | 213-87808     | 4         | 38        | 229-04108     | 12        | 18        |
| 213-36003     | 12        | 2         | 213-46608     | 26        | 32        | 213-87907     | 4         | 29        | 229-04106     | 8         | 0         |
| 213-36000     | 12        | 1         | 213-46608     | 28        | 27        | 213-88004     | 12        | 66        | 229-04155     | 12        | 17        |
| 213-36300     | 12        | 60        | 213-46705     | 29        | 33        | 213-88100     | 6         | 16        | 229-07604     | 8         | 38        |
| 213-36508     | 4         | 21        | 213-46804     | 29        | 28        | 213-88609     | 22        | 6         | 229-11804     | 12        | 44        |
| 213-36557     | 4         | 20        | 213-46803     | 20        | 32        | 213-89200     | 16        | 1         | 229-12000     | 12        | 46        |
| 213-36807     | 12        | 49        | 213-47000     | 26        | 14        | 213-89309     | 16        | 6         | 229-12109     | 12        | 47        |
| 213-36656     | 12        | 48        | 213-47000     | 28        | 14        | 213-89408     | 16        | 7         | 229-26000     | 34        | 12        |
| 213-36704     | 12        | 53        | 213-47109     | 8         | 13        | 213-89507     | 18        | 5         | 229-26356     | 34        | 8         |
| 213-36805     | 12        | 41        | 213-47208     | 26        | 16        | 213-89660     | 16        | 4         | 229-30309     | 31        | 14        |
| 213-37209     | 12        | 38        | 213-47208     | 28        | 18        | 213-89705     | 16        | 37        | 229-30358     | 31        | 1         |
| 213-37303     | 12        | 33        | 213-47408     | 8         | 30        | 213-89911     | 16        | 35        | 229-30408     | 31        | 10        |
| 213-37407     | 12        | 26        | 213-48206     | 19        | 24        | 213-90000     | 14        | 1         | 229-30507     | 31        | 9         |
| 213-37508     | 12        | 23        | 213-48206     | 20        | 24        | 213-90208     | 16        | 62        | 229-30705     | 31        | 7         |
| 213-37505     | 12        | 36        | 213-48603     | 17        | 6         | 213-90307     | 34        | 18        | 229-30804     | 31        | 6         |
| 213-37704     | 12        | 24        | 213-49602     | 17        | 4         | 214-02300     | 4         | 27        | 229-30903     | 31        | 4         |
| 213-37801     | 10        | 38        | 213-48701     | 17        | 8         | 214-05204     | 6         | 2         | 229-31000     | 31        | 3         |
| 213-37903     | 12        | 27        | 213-48800     | 17        | 27        | 214-08109     | 8         | 43        | 229-31109     | 31        | 2         |
| 213-37902     | 12        | 31        | 213-48909     | 2         | 55        | 214-06509     | 8         | 28        | 229-31208     | 31        | 16        |
| 213-38009     | 12        | 36        | 213-48909     | 2         | 61        | 214-06603     | 6         | 44        | 229-31307     | 31        | 11        |
| 213-38306     | 12        | 20        | 213-49106     | 17        | 22        | 214-07200     | 12        | 72        | 229-31406     | 31        | 8         |
| 213-38405     | 6         | 32        | 213-49204     | 12        | 78        | 214-07309     | 12        | 70        | 229-33006     | 34        | 2         |
| 213-38604     | 6         | 3         | 213-49303     | 12        | 77        | 214-07408     | 12        | 74        | 229-33303     | 34        | 9         |
| 213-38603     | 6         | 16        | 213-49600     | 2         | 38        | 214-08506     | 2         | 25        | 229-51552     | 2         | 12        |
| 213-38801     | 6         | 20        | 213-49808     | 2         | 64        | 214-08554     | 2         | 24        | 229-62501     | 17        | 18        |
| 213-38900     | 6         | 22        | 213-50103     | 10        | 9         | 214-13153     | 34        | 1         | 230-06408     | 19        | 28        |
| 213-39007     | 6         | 28        | 213-50162     | 10        | 8         | 214-13257     | 34        | 15        | 230-06406     | 20        | 26        |
| 213-39056     | 6         | 27        | 213-51002     | 20        | 10        | 214-27000     | 4         | 58        | 230-24409     | 14        | 63        |
| 213-39106     | 4         | 8         | 213-51101     | 29        | 18        | 214-27059     | 4         | 57        | 235-30007     | 26        | 49        |
| 213-39304     | 6         | 25        | 213-51150     | 29        | 17        | 214-27307     | 14        | 28        | 236-30007     | 26        | 60        |
| 213-39601     | 10        | 25        | 213-51200     | 29        | 20        | 214-39400     | 12        | 67        | 236-30007     | 26        | 51        |
| 213-39700     | 10        | 27        | 213-51457     | 29        | 1         | 214-37103     | 2         | 64        | 236-30007     | 26        | 62        |
| 213-39809     | 10        | 33        | 213-53008     | 4         | 65        | 214-37207     | 30        | 35        | 236-30007     | 26        | 53        |
| 213-40005     | 8         | 50        | 213-53701     | 16        | 18        | 214-37306     | 2         | 05        | 236-30007     | 26        | 54        |
| 213-40302     | 8         | 53        | 213-53750     | 16        | 17        | 214-37306     | 30        | 37        | 236-30007     | 26        | 55        |
| 213-40401     | 8         | 1         | 213-53800     | 16        | 25        | 214-38106     | 30        | 29        | 236-30007     | 26        | 56        |
| 213-40500     | 8         | 2         | 213-53859     | 16        | 22        | 214-38205     | 30        | 38        | 236-30007     | 26        | 57        |
| 213-40708     | 28        | 10        | 213-53809     | 16        | 27        | 214-38403     | 30        | 4         | 236-30007     | 28        | 43        |
| 213-40708     | 28        | 10        | 213-54006     | 16        | 20        | 214-38602     | 30        | 6         | 236-30007     | 28        | 44        |

NUMERICAL INDEX OF PARTS

索引

| PART NO<br>部号 | PAGE<br>页 | REF<br>号 | PART NO<br>部号 | PAGE<br>页 | REF<br>号 | PART NO<br>部号 | PAGE<br>页 | REF<br>号 | PART NO<br>部号 | PAGE<br>页 | REF<br>号 |
|---------------|-----------|----------|---------------|-----------|----------|---------------|-----------|----------|---------------|-----------|----------|
| 236-30007     | 28        | 45       |               |           |          |               |           |          |               |           |          |
| 236-30007     | 28        | 46       |               |           |          |               |           |          |               |           |          |
| 236-30007     | 28        | 56       |               |           |          |               |           |          |               |           |          |
| 236-30007     | 28        | 57       |               |           |          |               |           |          |               |           |          |
| 236-30007     | 28        | 58       |               |           |          |               |           |          |               |           |          |
| 236-36202     | 21        | 5        |               |           |          |               |           |          |               |           |          |
| 252-26201     | 8         | 29       |               |           |          |               |           |          |               |           |          |
| 252-26209     | 17        | 16       |               |           |          |               |           |          |               |           |          |
| 269-10059     | 31        | 20       |               |           |          |               |           |          |               |           |          |
| 400-09103     | 12        | 50       |               |           |          |               |           |          |               |           |          |
| 400-16148     | 4         | 66       |               |           |          |               |           |          |               |           |          |
| 400-16783     | 2         | 1        |               |           |          |               |           |          |               |           |          |
| 400-18339     | 8         | 16       |               |           |          |               |           |          |               |           |          |
| 400-18340     | 8         | 33       |               |           |          |               |           |          |               |           |          |
| 400-18341     | 8         | 23       |               |           |          |               |           |          |               |           |          |
| 400-19114     | 2         | 3        |               |           |          |               |           |          |               |           |          |
| 400-24848     | 30        | 19       |               |           |          |               |           |          |               |           |          |
| 400-24849     | 30        | 16       |               |           |          |               |           |          |               |           |          |
| 400-24852     | 10        | 1        |               |           |          |               |           |          |               |           |          |
| 400-24855     | 4         | 4        |               |           |          |               |           |          |               |           |          |
| 400-24857     | 23        | 5        |               |           |          |               |           |          |               |           |          |
| 400-24858     | 23        | 22       |               |           |          |               |           |          |               |           |          |
| 400-24864     | 34        | 6        |               |           |          |               |           |          |               |           |          |
| 400-24965     | 23        | 1        |               |           |          |               |           |          |               |           |          |
| 400-24968     | 23        | 21       |               |           |          |               |           |          |               |           |          |
| 400-24972     | 17        | 23       |               |           |          |               |           |          |               |           |          |
| 400-25035     | 30        | 30       |               |           |          |               |           |          |               |           |          |
| 400-25036     | 30        | 20       |               |           |          |               |           |          |               |           |          |
| 400-25200     | 28        | 6        |               |           |          |               |           |          |               |           |          |
| 400-25300     | 28        | 8        |               |           |          |               |           |          |               |           |          |
| 400-27748     | 6         | 26       |               |           |          |               |           |          |               |           |          |
| 400-33026     | 8         | 12       |               |           |          |               |           |          |               |           |          |
| 400-33027     | 8         | 11       |               |           |          |               |           |          |               |           |          |
| 400-33020     | 8         | 10       |               |           |          |               |           |          |               |           |          |
| 400-33030     | 8         | 24       |               |           |          |               |           |          |               |           |          |
| 400-33031     | 8         | 36       |               |           |          |               |           |          |               |           |          |
| 400-33032     | 8         | 34       |               |           |          |               |           |          |               |           |          |
| 400-36682     | 4         | 23       |               |           |          |               |           |          |               |           |          |
| 400-38700     | 4         | 50       |               |           |          |               |           |          |               |           |          |
| 400-38702     | 4         | 51       |               |           |          |               |           |          |               |           |          |
| 400-38711     | 12        | 73       |               |           |          |               |           |          |               |           |          |
| 400-38713     | 12        | 42       |               |           |          |               |           |          |               |           |          |
| 400-38723     | 24        | 14       |               |           |          |               |           |          |               |           |          |
| 400-38723     | 24        | 16       |               |           |          |               |           |          |               |           |          |
| 400-38908     | 24        | 23       |               |           |          |               |           |          |               |           |          |
| 400-38909     | 24        | 22       |               |           |          |               |           |          |               |           |          |
| 400-38910     | 24        | 21       |               |           |          |               |           |          |               |           |          |
| 400-39328     | 8         | 4        |               |           |          |               |           |          |               |           |          |
| 400-39337     | 20        | 1        |               |           |          |               |           |          |               |           |          |
| 400-41236     | 2         | 67       |               |           |          |               |           |          |               |           |          |
| 400-41243     | 10        | 43       |               |           |          |               |           |          |               |           |          |
| 400-41244     | 10        | 44       |               |           |          |               |           |          |               |           |          |
| 400-41245     | 10        | 45       |               |           |          |               |           |          |               |           |          |
| 400-41246     | 10        | 40       |               |           |          |               |           |          |               |           |          |
| 400-41247     | 10        | 41       |               |           |          |               |           |          |               |           |          |
| 400-41248     | 12        | 60       |               |           |          |               |           |          |               |           |          |
| 400-41734     | 4         | 67       |               |           |          |               |           |          |               |           |          |
| 400-42811     | 14        | 52       |               |           |          |               |           |          |               |           |          |
| 400-49515     | 24        | 4        |               |           |          |               |           |          |               |           |          |
| 400-49517     | 24        | 3        |               |           |          |               |           |          |               |           |          |
| 400-49518     | 24        | 1        |               |           |          |               |           |          |               |           |          |
| 400-49653     | 12        | 71       |               |           |          |               |           |          |               |           |          |
| 400-51503     | 28        | 50       |               |           |          |               |           |          |               |           |          |
| 400-51615     | 12        | 81       |               |           |          |               |           |          |               |           |          |
| 400-51616     | 12        | 82       |               |           |          |               |           |          |               |           |          |